

---

# **ND1111:1999/06**

---

**PNO-ISC/INFO/011**

**Core INAP CS-1 Extensions for UK Use**

---

© 2002 Crown Copyright

## NOTICE OF COPYRIGHT AND LIABILITY

### Copyright

All right, title and interest in this document are owned by the Crown and/or the contributors to the document unless otherwise indicated (where copyright be owned or shared with a third party). Such title and interest is protected by United Kingdom copyright laws and international treaty provisions.

The contents of the document are believed to be accurate at the time of publishing, but no representation or warranty is given as to their accuracy, completeness or correctness. You may freely download, copy, store or distribute this document provided it is not modified in any way and it includes this copyright and liability statement.

You may not modify the contents of this document. You may produce a derived copyright work based on this document provided that you clearly indicate that it was created by yourself and that it was derived from this document and provided further that you ensure that any risk of confusion with this document is avoided.

### Liability

Whilst every care has been taken in the preparation and publication of this document, NICC, nor any committee acting on behalf of NICC, nor any member of any of those committees, nor the companies they represent, nor any person contributing to the contents of this document (together the "Generators") accepts liability for any loss, which may arise from reliance on the information contained in this document or any errors or omissions, typographical or otherwise in the contents.

Nothing in this document constitutes advice. Nor does the transmission, downloading or sending of this document create any contractual relationship. In particular no licence is granted under any intellectual property right (including trade and service mark rights) save for the above licence to copy, store and distribute this document and to produce derived copyright works.

The liability and responsibility for implementations based on this document rests with the implementer, and not with any of the Generators. If you implement any of the contents of this document, you agree to indemnify and hold harmless the Generators in any jurisdiction against any claims and legal proceedings alleging that the use of the contents by you or on your behalf infringes any legal right of any of the Generators or any third party.

None of the Generators accepts any liability whatsoever for any direct, indirect or consequential loss or damage arising in any way from any use of or reliance on the contents of this document for any purpose.

If you have any comments concerning the accuracy of the contents of this document, please write to:

The Technical Secretary,  
Network Interoperability Consultative Committee,  
Of tel,  
50 Ludgate Hill,  
London,  
EC4M 7JJ.

**PNO-ISC INFORMATION DOCUMENT 011**  
**Core INAP CS-1 Extensions for UK Use**

NETWORK INTEROPERABILITY CONSULTATIVE COMMITTEE  
Office of Telecommunications  
50 Ludgate Hill  
London EC4M 7JJ

## **0.2 Normative information**

All enquiries about distribution reproduction, changes and clarifications should be addressed in the first instance to the Chairman of the NICC/PNO-IG/ISC at the address on the title page.

**DISCLAIMER** The contents of this information document have been agreed by the NICC. The information contained herein is the property of the NICC and is supplied without liability for errors or omissions.

## 0.3 Contents

0.2	Normative information.....	2
0.3	Contents .....	3
0.4	History .....	3
0.5	Issue control .....	3
0.6	References .....	3
0.7	Glossary of terms .....	4
0.8	Scope.....	4
1.	INTRODUCTION .....	5
2.	ENDORSEMENT NOTICE.....	6
3.	IDENTIFICATION OF REQUIRED ENHANCEMENTS .....	7
3.1	Additional Parameters .....	7
3.2	Additional Parameter Values.....	7
4.	DESCRIPTION OF ENCODING FOR INAP ENHANCEMENTS.....	9
4.1	Encoding Principles .....	9
4.2	Encoding of Extensions .....	9
4.3	Use of Extensions within Operations.....	10
5.	ASN.1 EXTENSIONS FOR INAP ENHANCEMENTS.....	11

## 0.4 History

Revision	Date of Issue	Editor	Description
Issue 1,	June 1999	J.Welton, C&WComms	First published version

## 0.5 Issue control

PAGE	ISSUE	DATE
All	Issue 1	June 1999

## 0.6 References

- [1] ETR 318 (1996): "Intelligent Network (IN); Intelligent Network Capability Set 1 (CS1); Distributed functional plane".
- [2] ETS 300 374-1(1994): "Intelligent Network (IN); Intelligent Network Capability Set 1 (CS1); Core Intelligent Network Application Protocol (INAP); Part 1: Protocol Specification".
- [3] EN 300 356-1 v3.2.2 (1998): "Integrated Services Digital Network (ISDN); Signalling System No.7; ISDN User Part (ISUP) version 3 for the international interface".
- [4] PNO-ISC/SPEC/007 Issue 2.2: "ISDN User Part (ISUP)"
- [5] ITU-T Recommendation Q.1600 (1997): "Interaction Between ISUP and INAP".

- [6] EN 301 070-1(1998): "Integrated Services Digital Network (ISDN); Signalling System No.7; ISDN User Part (ISUP) version 3 interactions with the Intelligent Network Application Protocol (INAP); Part 1: Protocol Specification".

## **0.7 Glossary of terms**

CCF	Call Control Function
CS	Capability Set
DLE	Destination Local Exchange
ETSI	European Telecommunications Standards Institute
IN	Intelligent Network
INAP	Intelligent Network Application Protocol (in this document also specifically ETSI Core INAP CS1)
IP	Intelligent Peripheral
ISDN	Integrated Services Digital Network
ISUP	ISDN User Part
OLE	Originating Local Exchange
SCF	Service Control Function
SCP	Service Control Point
SRF	Specialized Resource Function
SSF	Service Switching Function
SSP	Service Switching Point

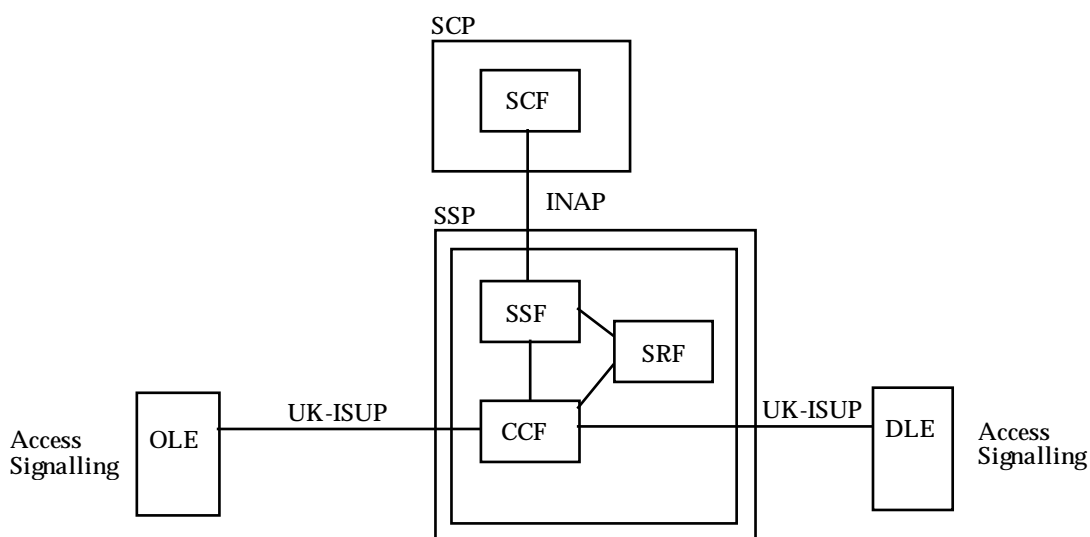
## **0.8 Scope**

This document describes the extensions to the ETSI Core INAP CS1 [1,2] (INAP) protocol recommended by the PNO-ISC for carrying within INAP the UK enhancements to ETSI ISUP v3 [3] which are defined in UK-ISUP [4], and the mapping of those extensions to and from UK-ISUP. The description of the extensions includes the formatting and encoding of the relevant extension field parameters. Interaction between UK-ISUP and INAP is not described, as no specific UK interactions have been identified.

Mapping between international ISUP and IN CS1 is specified in [5], and between international ISUP and ETSI Core INAP CS1 [6].

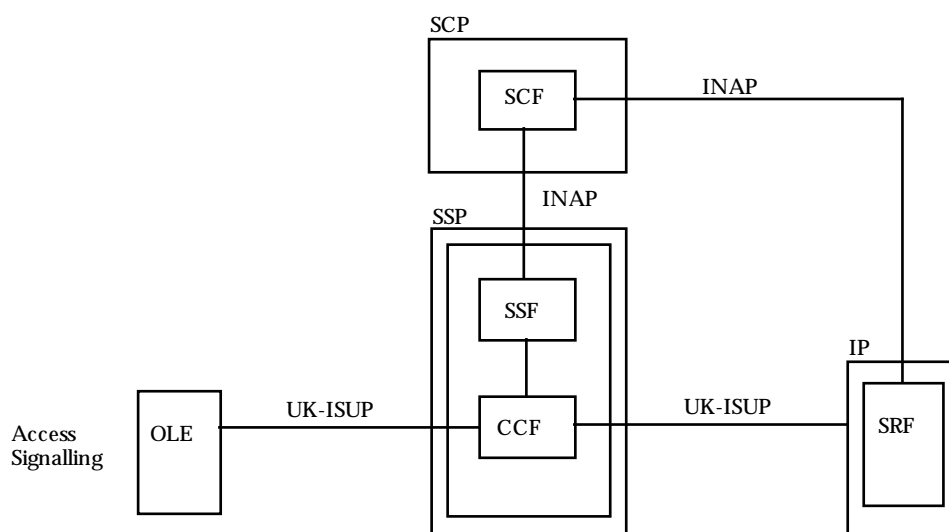
## 1. INTRODUCTION

This document considers only the case where the SSP is located at a transit level, hence at which both incoming and outgoing call legs exist and are signalled using UK-ISUP, as in Figure 1. However, the mapping from UK-ISUP to INAP should also be valid for calls in which the outgoing leg uses an access signalling system, and the mapping from INAP to UK-ISUP should also be valid for calls in which the incoming leg uses an access signalling system.



**Figure 1: Signalling configuration for an IN call (no external IP)**

The INAP enhancements considered in this document also include support for an internal or external IP, for example in the configuration shown in Figure 2.



**Figure 2: External IP connected via ISUP (Assist Method)**

## **2. ENDORSEMENT NOTICE**

The elements of [6] apply with the following modification: Annex ZA has the status of a normative annex.



### 3. IDENTIFICATION OF REQUIRED ENHANCEMENTS

#### 3.1 Additional Parameters

This section identifies the parameters introduced in UK-ISUP and indicates whether it is appropriate for them to be mapped into INAP.

<b>Additional UK-ISUP Parameters</b>	<b>Mapping to INAP Appropriate</b>
National Forward Call Indicators	Yes
National Forward Call Indicators (Link by Link)	No
Presentation Number	Yes
Last Diverting Line Identity	Yes
Partial Calling Line Identity	Yes
Called Subscriber's Basic Service Marks	Yes (Note 2)
Calling Subscriber's Basic Service Marks	Yes (Note 2)
Calling Subscriber's Originating Facility Marks	Yes (Note 2)
Called Subscriber's Terminating Facility Marks	Yes (Note 2)
National Information Request Indicators Parameter	No (Note 1)
National Information Indicators Parameter	No

Note 1: 'National Information Request Indicators Parameter' could be mapped into the CollectInformation operation as a network option.

Note 2: While use of these parameters has been supported, their use must be carefully controlled in both operations in order to preserve the correct operation of services using these fields, and to observe data protection. Use should be limited to network services which require them, e.g. operator services.

#### 3.2 Additional Parameter Values

This section identifies INAP parameters which map on to ISUP parameters whose range of permissible values has been extended in UK-ISUP. To take full advantage of the functionality provided by UK-ISUP within INAP, the INAP parameters must be similarly extended.

##### 3.2.1 Nature of Address

The Nature of Address field within various UK-ISUP address parameters has been extended to include value 126 with meaning 'UK-Specific'. This value is used in support of number portability, targeted transit and other interconnect services. This change affects INAP address parameters as follows:

destinationRoutingAddress	in operation Connect;
eventSpecificInformationBCSM	in operation EventReportBCSM;
calledPartyNumber	in operation InitialDP;
destinationRoutingAddress	in operation InitiateCallAttempt.

The following INAP address parameters are not required to support the UK Specific Nature of Address in support of interconnect services, but use of UK Specific Nature of Address is not invalid:

originalCalledPartyID	in operation Connect;
ipRoutingAddress	in operation ConnectToResource;
originalCalledPartyID	in operation InitialDP.

INAP address parameters relating to the calling line are not required to support the UK Specific Nature of Address. Likewise, the INAP extensions providing support for Presentation Number and Last Diverting Line Identity are not required to support the UK Specific Nature of Address.

### 3.2.2 Calling Party Category

UK-ISUP supports an extended range of Calling Party Categories, which may be mapped on to, and from, the equivalent parameter information in INAP operations. This affects the following INAP parameters:

callingPartysCategory	in operation Connect;
callingPartysCategory	in operation InitialDP.

## 4. DESCRIPTION OF ENCODING FOR INAP ENHANCEMENTS

### 4.1 Encoding Principles

- (i) All INAP parameters introduced in this document for UK use are encoded using extension field parameters.
- (ii) To avoid clashes with existing implementations the ExtensionField type has been selected from an agreed range as in section 0.
- (iii) All ExtensionFields introduced in this document shall have criticality 'ignore'. For coding efficiency it is recommended that the criticality field be left absent to default to 'ignore'.
- (iv) The type of all extensions defined here shall be octet string.
- (v) The encoding of all ExtensionField values introduced in this document is identical to the encoding of the equivalent UK-ISUP parameter [4].

### 4.2 Encoding of Extensions

Extension Name	Extension Type	Extension Length
National Forward Call Indicators	126	2 octets
Presentation Number	125	2-n octets
Last Diverting Line Identity	124	2-n octets
Partial Calling Line Identity	123	9 octets
Called Subscriber's Basic Service Marks	122	3 octets
Calling Subscriber's Basic Service Marks	121	3 octets
Calling Subscriber's Originating Facility Marks	120	2 octets
Called Subscriber's Terminating Facility Marks	119	2 octets
Reserved for PNO-ISC	118	-
Reserved for PNO-ISC	117	-
Reserved for future allocation by PNO-ISC	96 - 116	-

### 4.3 Use of Extensions within Operations

This section describes which INAP operations may contain the defined extension fields. In all cases the presence of the extension is optional.

<b>Extension Name</b>	<b>INAP Operations</b>
National Forward Call Indicators	InitialDP, Connect, InitiateCallAttempt
Presentation Number	InitialDP, Connect, InitiateCallAttempt
Last Diverting Line Identity	InitialDP, Connect, InitiateCallAttempt
Partial Calling Line Identity	InitialDP, Connect, InitiateCallAttempt
Called Subscriber's Basic Service Marks	InitialDP, Connect
Calling Subscriber's Basic Service Marks	InitialDP, Connect, InitiateCallAttempt
Calling Subscriber's Originating Facility Marks	InitialDP, Connect, InitiateCallAttempt
Called Subscriber's Terminating Facility Marks	InitialDP, Connect

Where an extension is included in the Connect or the InitiateCallAttempt operation, its value shall be used on the outgoing call leg, when the corresponding UK-ISUP parameter is required.

Where an extension is not included in the Connect operation, the value of the corresponding parameter in UK-ISUP on the outgoing leg shall be that which would normally have been used had no IN interaction had taken place.

## 5. ASN.1 EXTENSIONS FOR INAP ENHANCEMENTS

-- UK extensions to INAP  
-- Encoding of all octet strings as in [4].

NationalForwardCallIndicatorsExt ::= EXTENSION  
EXTENSION-SYNTAX OCTET STRING  
CRITICALITY ignore

nationalForwardCallIndicatorsExt NationalForwardCallIndicatorsExt ::= 126

PresentationNumberExt ::= EXTENSION  
EXTENSION-SYNTAX OCTET STRING  
CRITICALITY ignore

presentationNumberExt PresentationNumberExt ::= 125

LastDivertingLineIdentityExt ::= EXTENSION  
EXTENSION-SYNTAX OCTET STRING  
CRITICALITY ignore

lastDivertingLineIdentityExt LastDivertingLineIdentityExt ::= 124

PartialCallingLineIdentityExt ::= EXTENSION  
EXTENSION-SYNTAX OCTET STRING  
CRITICALITY ignore

partialCallingLineIdentityExt PartialCallingLineIdentityExt ::= 123

CalledSubsBasicServiceMarksExt ::= EXTENSION  
EXTENSION-SYNTAX OCTET STRING  
CRITICALITY ignore

calledSubsBasicServiceMarksExt CalledSubsBasicServiceMarksExt ::= 122

CallingSubsBasicServiceMarksExt ::= EXTENSION  
EXTENSION-SYNTAX OCTET STRING  
CRITICALITY ignore

callingSubsBasicServiceMarksExt CallingSubsBasicServiceMarksExt ::= 121

CallingSubsOrigFacilityMarksExt ::= EXTENSION

EXTENSION-SYNTAX CRITICALITY	OCTET STRING ignore		
callingSubsOrigFacilityMarksExt	CallingSubsOrigFacilityMarksExt	::=	120
CalledSubsTermFacilityMarksExt EXTENSION-SYNTAX CRITICALITY	::=	EXTENSION OCTET STRING ignore	
calledSubsTermFacilityMarksExt	CalledSubsTermFacilityMarksExt	::=	119

END OF PNO-ISC/INFO/011