

## **Generic Overload Control for use on Interconnect of Next Generation Networks**

---

© 2008 Ofcom copyright

## NOTICE OF COPYRIGHT AND LIABILITY

### Copyright

All right, title and interest in this document are owned by Ofcom and/or the contributors to the document unless otherwise indicated (where copyright be owned or shared with a third party). Such title and interest is protected by United Kingdom copyright laws and international treaty provisions.

The contents of the document are believed to be accurate at the time of publishing, but no representation or warranty is given as to their accuracy, completeness or correctness. You may freely download, copy, store or distribute this document provided it is not modified in any way and it includes this copyright and liability statement.

You may not modify the contents of this document. You may produce a derived copyright work based on this document provided that you clearly indicate that it was created by yourself and that it was derived from this document and provided further that you ensure that any risk of confusion with this document is avoided.

### Liability

Whilst every care has been taken in the preparation and publication of this document, NICC, nor any committee acting on behalf of NICC, nor any member of any of those committees, nor the companies they represent, nor any person contributing to the contents of this document (together the “Generators”) accepts liability for any loss, which may arise from reliance on the information contained in this document or any errors or omissions, typographical or otherwise in the contents.

Nothing in this document constitutes advice. Nor does the transmission, downloading or sending of this document create any contractual relationship. In particular no licence is granted under any intellectual property right (including trade and service mark rights) save for the above licence to copy, store and distribute this document and to produce derived copyright works.

The liability and responsibility for implementations based on this document rests with the implementer, and not with any of the Generators. If you implement any of the contents of this document, you agree to indemnify and hold harmless the Generators in any jurisdiction against any claims and legal proceedings alleging that the use of the contents by you or on your behalf infringes any legal right of any of the Generators or any third party.

None of the Generators accepts any liability whatsoever for any direct, indirect or consequential loss or damage arising in any way from any use of or reliance on the contents of this document for any purpose.

If you have any comments concerning the accuracy of the contents of this document, please write to:

The Technical Secretary,  
Network Interoperability Consultative Committee,  
Ofcom,  
2a Southwark Bridge Road,  
London SE1 9HA.

---

## Contents

Intellectual Property Rights .....	3
Foreword .....	3
Introduction .....	3
1 Scope .....	4
2 References .....	4
2.1 Normative References.....	4
2.2 Informative references .....	4
3 Definitions and Abbreviations .....	4
3.1 Definitions .....	4
3.2 Abbreviations.....	4
4 Overview .....	5
5 Overload Control.....	5
5.1 Control Description .....	6
5.2 Supporting multiple SIP services.....	6
History .....	9

---

## Intellectual Property Rights

IPRs essential or potentially essential to the present document may have been declared to NICC.

Pursuant to the NICC IPR Policy, no investigation, including IPR searches, has been carried out by NICC. No guarantee can be given as to the existence of other IPRs which are, or may be, or may become, essential to the present document.

---

## Foreword

This NICC Document (ND) has been produced by NICC.

---

## Introduction

This specification forms part of the Next Generation Network, Multi-Service Interconnect (MSI) Release Structure and ought to be read in conjunction with the associated releases of the standard ‘Multi-Service Interconnect of UK Next Generation Networks’ [1]

In line with the four level documentation structure defined in the release document ND1610 [1], this is a NICC layer 3 document.

---

---

# 1 Scope

This document defines a static mechanism for controlling the processing load that can be presented across an interconnect boundary between NGNs for services that are supported by the SIP. The mechanism is entirely generic. These static controls are not applicable to services that do not use SIP.

Note: Services that use SIP-I (such as generic ISDN and POTS) should use the UK definition of Adaptive ACC and not the static controls described here.

---

# 2 References

For the particular version of a document applicable to this release see [ND1610](#) [1].

## 2.1 Normative References

- [1] ND1610 "Multi-Service Interconnect for NGNs – Green Release"
- [2] ETSI TR 182 015: "Architecture for Control of Processing Overload in Next Generation Networks".

## 2.2 Informative references

- [3] Draft ETSI ES 283 039-2 " NGN Congestion & Overload Control; Part 2: Core GOCAP and NOCA Entity Behaviours"
- [4] SR 001 262 (V2.0.0): " ETSI drafting rules Section 23:- Verbal Forms For The Expression Of Provisions ".

---

# 3 Definitions and Abbreviations

## 3.1 Definitions

The key words “**shall**”, “**shall not**”, “**must**”, “**must not**”, “**should**”, “**should not**”, “**may**”, “**need not**”, “**can**” and “**cannot**” in this document are to be interpreted as defined in the ETSI Drafting Rules [4].

## 3.2 Abbreviations

ACC	Automatic Congestion Control
CP	Communications Provider
ETSI	European Telecommunication Standards Institute
ISDN	Integrated Services Digital Network
ISUP	ISDN User Part of C7 signalling
ND	NICC Document
NGN	Next Generation Network
NICC	Network Interoperability Consultative Committee
PSTN	Public Switched Telephone Network
SIP	Session Initiation Protocol
TDM	Time Division Multiplex
UK	United Kingdom

## 4 Overview

To ensure the integrity of a network, processes must be implemented to manage overload. In a single network or interconnected networks managed by a single CP, management of overload may be achieved by careful use of dimensioning, static controls and/or proprietary overload controls. Such controls are out of scope for NICC specifications.

It must be possible for a CP to protect their network against load that originates outside that network. For existing TDM networks using UK ISUP or NGNs interconnecting using SIP-I, the UK ISUP Adaptive ACC (AACC) is available and mandated to provide overload control. AACC is not available when NGNs are interconnecting using SIP and hence a different overload control mechanism is required.

The architecture for control of processing overload in NGNs is described in [2]. Adaptive overload control mechanisms are being developed in international standards fora [3] but are not yet complete. This document defines a static mechanism for overload control and should be used at least until internationally standardised adaptive mechanisms become available.

## 5 Overload Control

The document describes a static mechanism for controlling the processing load that can be presented across an interconnect boundary between NGNs for services that are supported by the SIP. The mechanism is entirely generic, but should be thought of as a stop gap until adaptive rate limiting schemes have been standardised. Services that use SIP-I (such as generic ISDN and PSTN) should use the UK definition of Adaptive ACC and not the static controls described here. These static controls are not applicable to services that do not use SIP. The architecture of SIP service interconnect is shown in Figure 1. The objective of this mechanism is to prevent either of the Edge Session Control Functions (ESCFs) from receiving more than a previously agreed work load from the other.

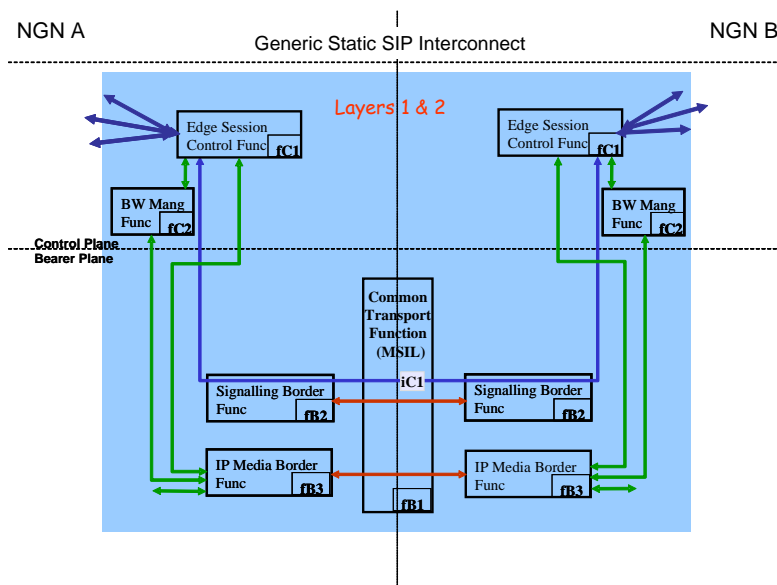
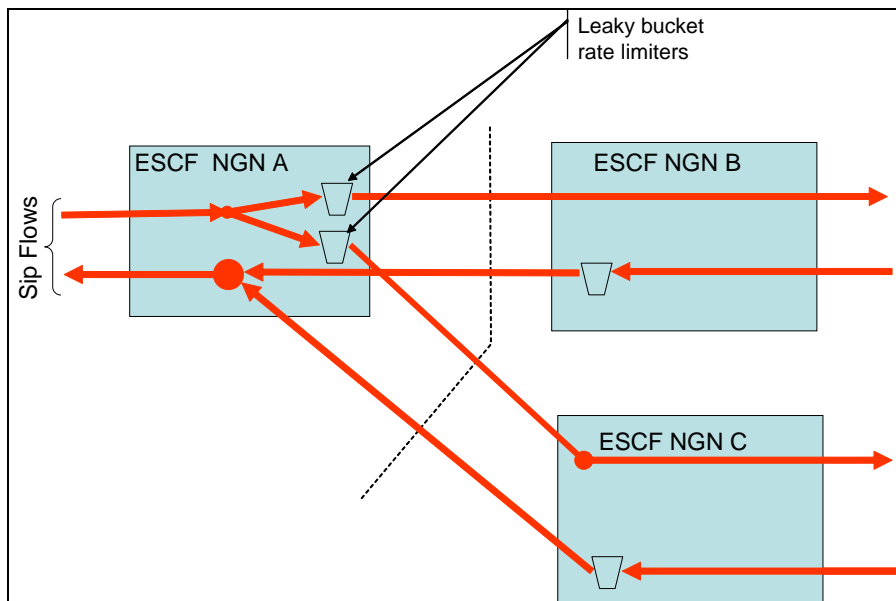


Figure 1: Generic SIP based service architecture

## 5.1 Control Description



**Figure 2: Disposition of rate limiters to protect ESCFs from traffic entering a network via interconnect (lower layers omitted).**

Each ESCF **shall** implement rate control of certain SIP methods towards each associated ESCF on the other side of an interconnect as shown in Figure 2. The rate control **shall** be a floating point leaky bucket supporting multiple thresholds and splash amounts as described in Figure 4. The rate control **shall** apply to the following SIP methods:

- INVITE
- REGISTER
- NOTIFY.

In operation, each occurrence of the specified SIP methods is offered to the rate limiter. Those messages that are admitted by the leaky bucket **shall** be forwarded across the interconnect boundary. Those messages (including emergency comms) that are rejected by the leaky bucket **shall not** be forwarded across the interconnect boundary. The fate of messages rejected by the restrictor is not described here.

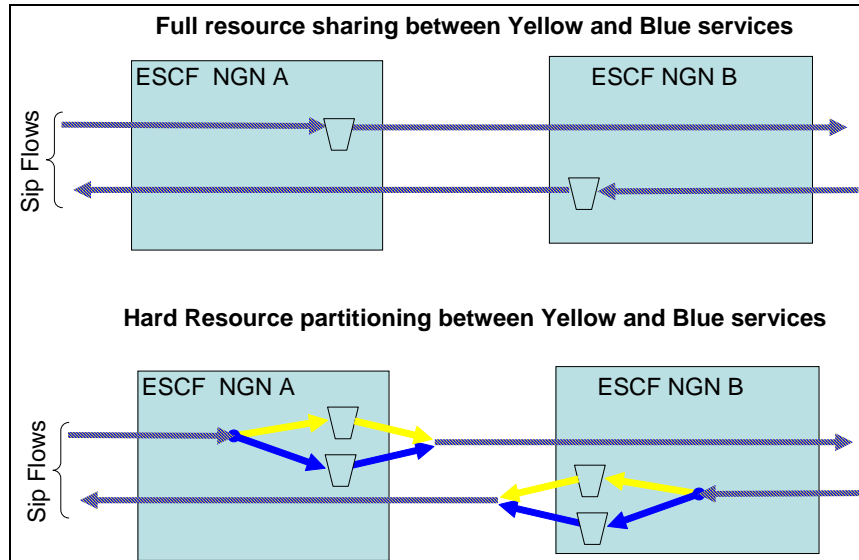
For each of specified SIP Methods, the interconnecting operators **shall** agree a splash value, which **should** be proportional to the effort required to process that method (including any subsequent signalling). Interconnecting operators **shall** also agree the restrictor leakrate. The leakrate **should** be selected so that the sum of the leakrates at each ESCF pointing towards a particular target ESCF is less than the portion of the capacity of that ESCF devoted to servicing the interconnect traffic. The threshold ranges and the significance of the priority levels **should** be defined in any service specification that uses this overload control mechanism.

While the deployment of rate limiters as described above will be sufficient to limit the workload flowing across the interconnect, an operator **should** also consider restricting the rate of requests to the ESCF from other sources within their own network. Operators **should** also consider the using rate limiters to restrict the volume of signalling sent from the ESCF to individual processing elements in their own network.

## 5.2 Supporting multiple SIP services

If the physical realisation of an ESCF is used to support more than one SIP based service across an interconnect then the following should be taken into account.

If the SIP services are similar, then the signalling flows for these services between the same ESCF pairs **may** share the same leaky bucket. If the services are very different, (e.g. if the splash parameters are significantly different, the priority schemes are incompatible, or there is a requirement to protect one service from another) then the capacity of the physical ESCF **shall** be partitioned into logically separate virtual ESCF, each protected by dedicated leaky buckets. These two approaches are shown in Figure 3.



**Figure 3 Supporting multiple SIP services over the same physical realisation of the ESCF**

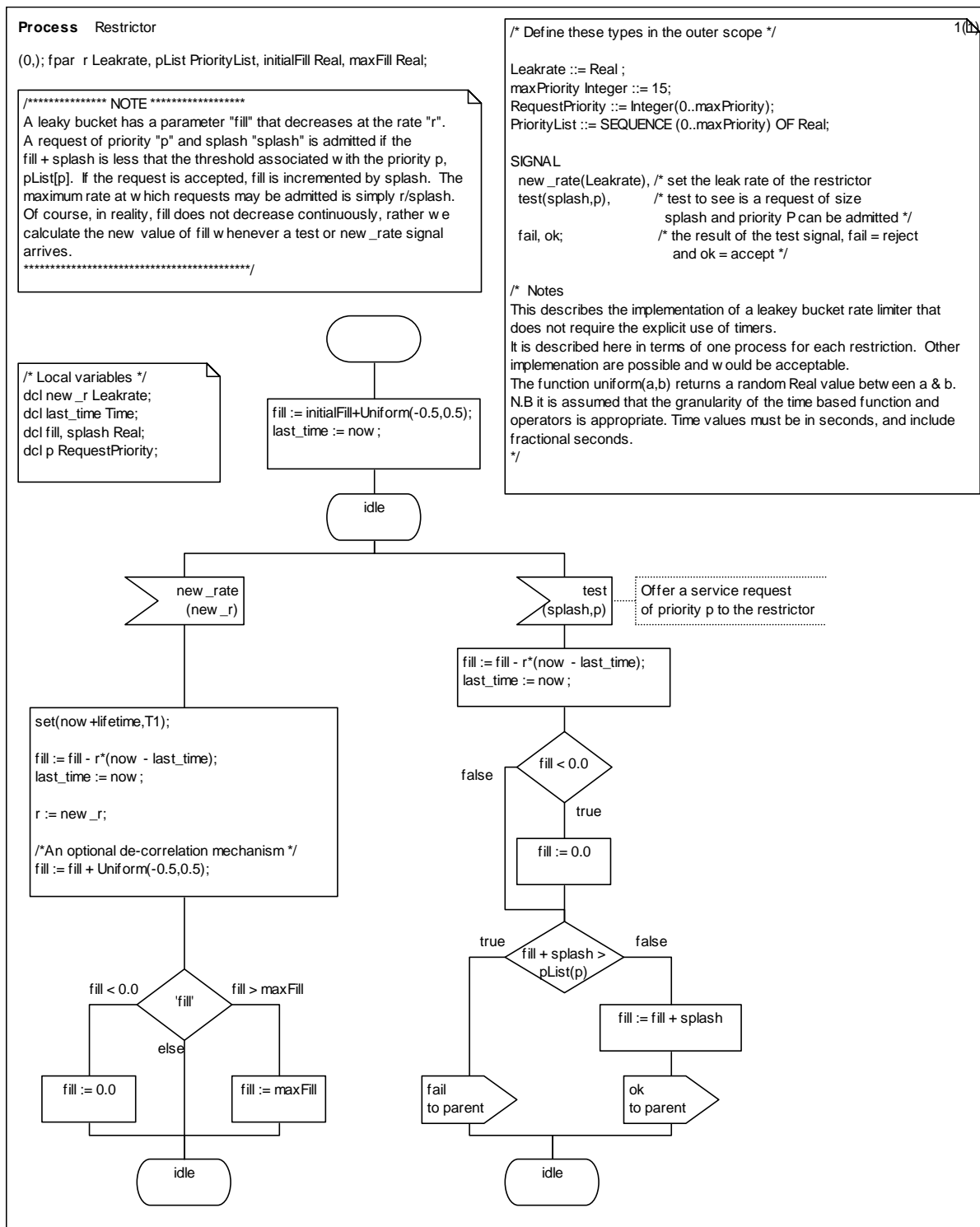


Figure 4: A multi-priority leaky bucket rate limiter



---

## History

<b>Document history</b>		
1.1.1	November 2007	Initial issue
1.1.2	June 2008	Pasted onto new NICC document format for publication
1.1.3	August 2008	Erroneous reference in Section 3 corrected