
ND1602:2007/03

Specification of the Access Network Frequency Plan applicable to transmission systems connected to the BT Access Network

Issue 4

Network Interoperability Consultative Committee
Ofcom
Riverside House,
2a Southwark Bridge Road,
London SE1 9HA
UK
<http://www.nicc.org.uk>

Normative Information

**© 2007 Ofcom copyright
NOTICE OF COPYRIGHT AND LIABILITY**

Copyright

All right, title and interest in this document are owned by Ofcom and/or the contributors to the document unless otherwise indicated (where copyright be owned or shared with a third party). Such title and interest is protected by United Kingdom copyright laws and international treaty provisions.

The contents of the document are believed to be accurate at the time of publishing, but no representation or warranty is given as to their accuracy, completeness or correctness. You may freely download, copy, store or distribute this document provided it is not modified in any way and it includes this copyright and liability statement.

You may not modify the contents of this document. You may produce a derived copyright work based on this document provided that you clearly indicate that it was created by yourself and that it was derived from this document and provided further that you ensure that any risk of confusion with this document is avoided.

Liability

Whilst every care has been taken in the preparation and publication of this document, NICC, nor any committee acting on behalf of NICC, nor any member of any of those committees, nor the companies they represent, nor any person contributing to the contents of this document (together the "Generators") accepts liability for any loss, which may arise from reliance on the information contained in this document or any errors or omissions, typographical or otherwise in the contents.

Nothing in this document constitutes advice. Nor does the transmission, downloading or sending of this document create any contractual relationship. In particular no licence is granted under any intellectual property right (including trade and service mark rights) save for the above licence to copy, store and distribute this document and to produce derived copyright works.

The liability and responsibility for implementations based on this document rests with the implementer, and not with any of the Generators. If you implement any of the contents of this document, you agree to indemnify and hold harmless the Generators in any jurisdiction against any claims and legal proceedings alleging that the use of the contents by you or on your behalf infringes any legal right of any of the Generators or any third party.

None of the Generators accepts any liability whatsoever for any direct, indirect or consequential loss or damage arising in any way from any use of or reliance on the contents of this document for any purpose.

If you have any comments concerning the accuracy of the contents of this document, please write to:

The Technical Secretary, Network Interoperability Consultative Committee,
Ofcom,
2a Southwark Bridge Road,
London SE1 9HA.

Contents

NOTICE OF COPYRIGHT AND LIABILITY	2
Contents	3
Foreword	5
1. Scope	5
2. ANFP Specification	7
2.1. PSD Mask Definition	7
2.1.1. PSD Mask	7
2.1.2. Test Specification	7
2.2. Alternative Voice-band Specification	7
2.2.1. Requirements	7
2.2.2. Test Specification	8
3. ANFP Conformance and Interference Management	9
3.1. Enforcement on Network Operators	9
3.2. Enforcement on Customer Equipment	9
3.3. Enforcement on Equipment installed prior to the publication of the ANFP	10
3.4. Interference Management Guidelines	10
4. PSD Mask Test Specification	11
4.1. Reference Model	11
4.2. Test Configuration	12
4.3. Measurement Conditions	12
4.3.1. Estimation of uncertainty of measurement	13
4.3.2. Compliance	13
4.3.3. Calibration of test equipment	13
4.3.4. General Conditions for Test	13
4.3.5. Independence of polarity	14
4.4. PSD Conformance Testing Methodology	14
4.4.1. PSD measurement procedure	14
4.4.2. Test circuit for PSD measurement	14
4.4.3. Calibration of the test circuit and termination impedance	16
4.4.4. Operation of the EUT	16
4.4.5. Power spectral density (PSD) measurement procedure	17
4.5. Non-stationary Signals	17
5. ANFP User Guide and Background Information	18
6. ANFP Change Control Procedure	18
7. Abbreviations	20
8. References	21
9. Document History	24
Part A ANFP PSD Mask Definition for MDF	25
A.1 Introduction	25
A.2 Status	25
A.3 PSD Mask Specification	25
A.4 Test Specification	26
Part B ANFP PSD Mask Definition for SDF	27
B.1 Introduction	27
B.2 Status	27

B.3	Cabinet Assigned Loss	27
B.4	PSD Mask Specification	27
B.5	Test Specification	31
Part C	ANFP PSD Mask Definition for NTP	32
C.1	Introduction	32
C.2	Status	32
C.3	Line Categorisation	32
C.4	PSD Mask Specification	33
C.5	Test Specification	36
Part D	ANFP PSD Mask Definition for MDF EO	37
D.1	Introduction	37
D.2	Status	37
D.3	PSD Mask Specification	37
D.4	Test Specification	37

Foreword

This document has been produced by the NICC Task Group on Digital Subscriber Line (DSL) – Spectrum Management Plan. Representatives from Network Operators, switch and terminal equipment manufacturers, test laboratories, DTI, and Ofcom participated in the Task Group.

This issue of the ANFP is a revision of ANFP, Issue 3 (ND1602:2005/08) [2] following unanimous agreement within the NICC DSL Task Group to revise the ANFP to take account of DSL technology development, particularly enhanced SHDSL.

This issue of the ANFP is backwards compatible with the previous issue of the ANFP (ND1602:2005/08).

1. Scope

This specification defines the Access Network Frequency Plan (ANFP) applicable to transmission systems connected to the BT access network. It is applicable to the whole of BT's UK access network provided using unscreened twisted metallic pairs (e.g. it does not apply to the access network provided by optical fibre).

To ensure the prevention of undue interference between transmission systems used on different metallic pairs in the same access cable, transmission systems (whether provided by BT, Local Loop Unbundling Operators (LLUO) or customers) connected to metallic pairs of the BT access network need to conform to this specification. This specification is applicable to all BT switched and leased line analogue services.

Note. This specification only considers the limits relevant to control of interference between transmission systems on different lines. There may be other limits also applicable, and conformance to this specification does not necessarily satisfy those limits. Such other limits may include, for example, safety limits on line voltages (see EN 60950 [15]), RFI balance requirements, and line sharing limits.

This specification supersedes ANFP Issue 3 specification (ND1602:2005/08) [2].

Figure 1 shows the points in the BT access at which the ANFP [this document] applies. The equipment configurations illustrate dedicated (i.e. not shared) and shared, full loop Metallic Path Facility (MPF) and sub-loop scenarios. The location of equipment (i.e. modems and splitters) at the Main Distribution Frame (MDF) site and near the Sub Loop Connection Point (SLCP), and the wiring arrangements for the splitter filters, are illustrative only.

The ANFP applies to the signal levels at the actual point of connection to the BT metallic access network i.e. at the MDF, Sub-loop Distribution Frame (SDF) or Network Termination Point (NTP).

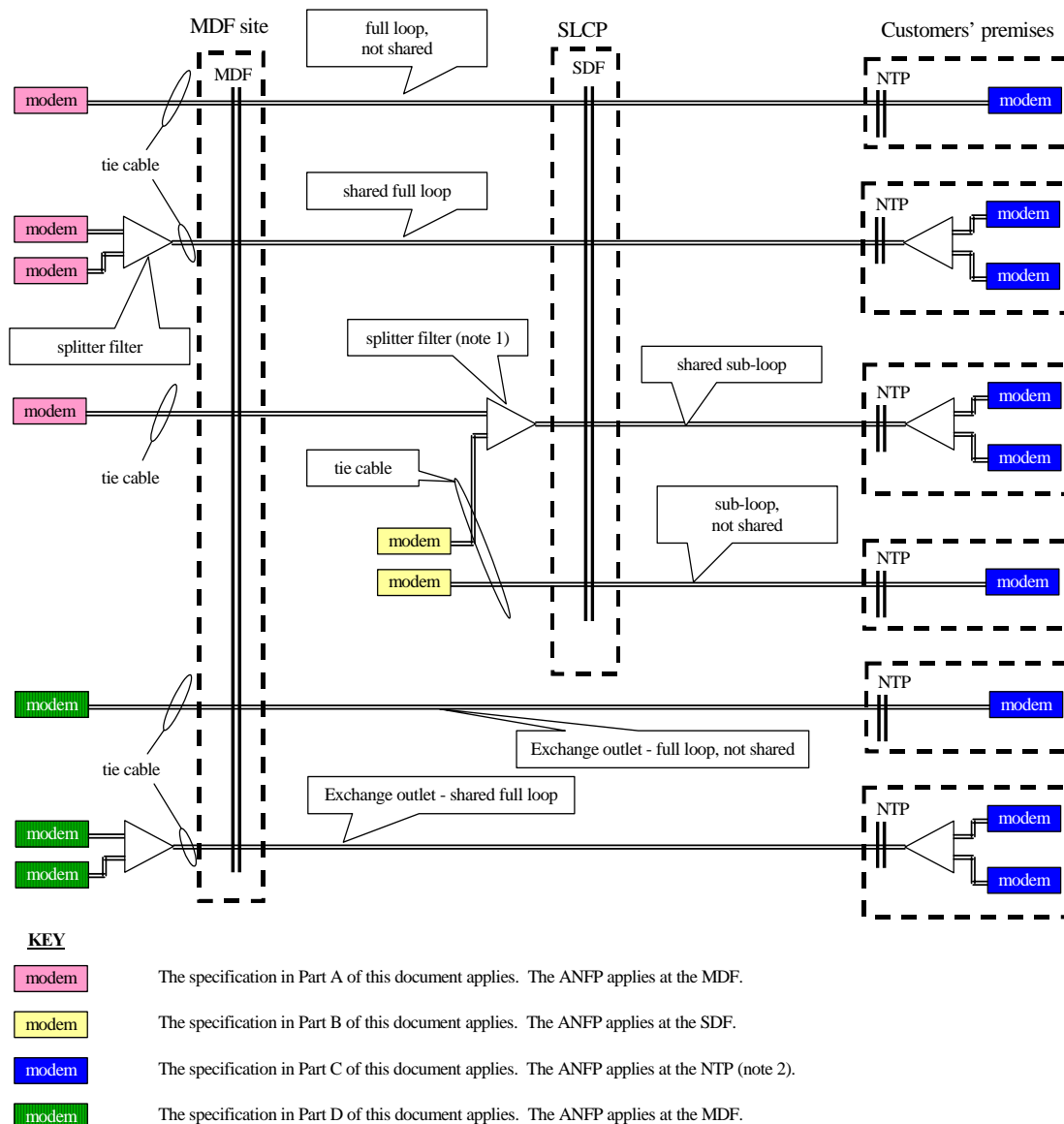


Figure 1 – Application of the ANFP

NB. This figure shows the points in the BT metallic access network at which the ANFP applies. The location of equipment (i.e. modems and splitters) at the MDF site, SLCP and customer premises, and the wiring arrangements for the splitter filters are illustrative only and do not necessarily represent actual implementation.

The limits specified in the ANFP apply when measured according to the associated reference measurement technique given in section 2.2.2 and section 4.

Note 1. It is envisaged that some installations may share the sub-loop, that is concurrently using the whole loop for some signals, the sub-loop for others, and perhaps merging the signals onto the sub-loop by splitter filters at each end of the sub-loop. Providing the SLCP splitter filter equipment does not amplify signals, and blocks signals originating from the transmission equipment connected to the sub-loop at the SLCP from the remainder of the full loop (i.e. in the direction towards the MDF), its signal outputs are anticipated to be acceptable.

Note 2. It is recognised that a customer's installation may comprise wiring and a number of items of customer premises equipment (CPE). Further, there may be other items of equipment between the customer's installation and the metallic pair (i.e. on the network side of the NTP), e.g. filters or active line termination equipment. The limits in this ANFP apply at the interface to the metallic pair of the BT access cable.

The ANFP defines the maximum signal power levels that may be transmitted into the BT access network at the various points of connection with the objective of managing the crosstalk interference. It does *not* directly define what xDSL systems may be connected to the BT access network or what bandwidth services may be deployed. Guidance on what ANFP-compliant xDSL systems may be connected to the BT access network is given in the DSL Guidelines [18].

2. ANFP Specification

For each point of application of the ANFP defined in Figure 1, the ANFP is defined by:

- A Power Spectrum Density (PSD) mask (or set of PSD masks) - see section 2.1, and
- By voice-band specification - see section 2.2.

For frequencies at and below 200 kHz, equipment compliant to this ANFP must either meet the requirements defined in section 2.1 or section 2.2. For frequencies above 200 kHz, the requirements of section 2.1 apply.

Note. Equipment that has been approved under the UK terminal equipment approval regime that existed prior to the implementation of the RE&TTE Directive [6] is deemed to be compliant to this ANFP.

2.1. PSD Mask Definition

2.1.1. PSD Mask

For each point of application of the ANFP defined in Figure 1, a PSD mask (or set of PSD masks) is defined. Table 1 lists the 4 points of ANFP application and shows where in this document the PSD mask(s) is specified.

Point of Application of the ANFP	PSD Mask specification
MDF (at an MDF site/exchange) connected to metallic access network cables routed to an NTP via a SLCP.	Part A
SDF (as a sub-loop connection point)	Part B
NTP (at the customers premises)	Part C
MDF Exchange Outlet (at an MDF site/exchange) connected to metallic access network cables routed directly to an NTP without a SLCP included in the routing and not sharing a cable sheath containing cables routed via a SLCP.	Part D

Table 1 - Interface Categories

2.1.2. Test Specification

The test specification given in section 4 applies.

2.2. Alternative Voice-band Specification

2.2.1. Requirements

For frequencies at and below 200 kHz, compliance to this ANFP for all interface categories may be demonstrated by conformance to the requirements in this section as an alternative to meeting the requirements of section 2.1.

Note 1. The requirements in this section are drawn from ETSI voice-band CPE standards¹. However, any type of equipment may use these requirements (and associated tests) instead of the requirements in section 2.1 to demonstrate compliance to this ANFP.

Equipment compliant to this ANFP under this section shall meet the requirements of the following Clauses of TBR 21 [10] (Note 2):

- Clause 4.7.3.1 (Mean sending level);
- Clause 4.7.3.2 (Instantaneous voltage);
- Clause 4.7.3.3 (Sending level in a 10 Hz bandwidth) as modified by TR 103 000-2-1 [13] (See Notes 3 and 4);
- Clause 4.7.3.4 (Sending level above 4.3 kHz) as modified by TR 103 000-2-1 [13];
- Clause 4.8.2.2.1 (DTMF Absolute Sending Levels) (See Note 5).

Note 2. The intent of these requirements is to control the level of crosstalk. TBR21 deals with other aspects but only those requirements relating to the control of crosstalk have been included in this ANFP.

Note 3. The requirements of this clause below 100 Hz do not apply in this ANFP.

Note 4. As described in EN 301 437 Annex C, it is not necessary to test the requirements of this clause if the terminal is a voice terminal (e.g. has a handset) and requires voice stimulation to perform the test.

Note 5. Only applicable if the equipment has a DTMF sender.

Infrequent and short duration signals at levels higher than those specified in this section are permitted from equipment used for MPF maintenance or from equipment connected to the MDF and/or SDF and used for management and maintenance of voice-band services (e.g. the howler signal – see BS6305 [14], Appendix C.4).

2.2.2. Test Specification

Conformance to the requirements specified in section 2.2.1 shall be demonstrated by using the following tests specified in TBR 21 [10]. The test methodology specified in TBR21 shall be used for non-voice stimulated terminals and the test methodology specified in Advisory Note AN 13R01 given in EG 201 121 [12] for voice stimulated terminals.

- Clause A.4.7.3.1 (Mean sending level);
- Clause A.4.7.3.2 (Instantaneous voltage);
- Clause A.4.7.3.3 (Sending level in a 10 Hz bandwidth) (Note 1);
- Clause A.4.7.3.4 (Sending level above 4.3 kHz)
- Clause A.4.8.2.2 (Signalling Levels) (Note 2).

Note 1. As described in EN 301 437 Annex C, it is not necessary to test the requirements of this clause if the terminal is a voice terminal (e.g. has a handset) and requires voice stimulation to perform the test.

Note 2. Only applicable if the equipment has a DTMF sender.

¹ Various technical standards have set voiceband limits for CPE but the most recent were TBR 21 [10], EN 301 437 [11], EG 201 121 [12] and TR 103 000-2-1 [13] all published by ETSI.

3. ANFP Conformance and Interference Management

To successfully manage crosstalk interference on the BT metallic access network, all equipment connected to the BT metallic access network shall comply with the ANFP. Hence this includes:

- BT equipment connected to the metallic access network;
- Network operator equipment connected to a Metallic Path Facility;
- Customer equipment connected to an analogue NTP that is either directly or indirectly connected to the BT metallic access network, to the extent that its behaviour is relevant to conditions present on the metallic access network itself.

The ANFP is enforced through the measures described below.

3.1. Enforcement on Network Operators

The contract between BT and network operators for provision of Metallic Path Facility requires both parties to comply with the ANFP. Demonstration of compliance is via a system of self-declaration.

Note 1. A Test Specification (section 2.2.2 and section 4) has been defined to test telecommunications equipment for conformance to the ANFP. The contract between BT and network operators requires network operators to “..ensure that Compliant Equipment to be connected to the Metallic Path Facility is tested, using the Access Network Frequency Plan Test Specification for compliance to the Access Network Frequency Plan”. However it is up to the network operator whether it undertakes conformance testing itself or requires the supplier or a third party to undertake it.

Whatever way conformance is demonstrated, the responsibility for the declaration and the correctness of that declaration resides with the network operator. In the event of a dispute on the conformance of a piece of telecommunications equipment, the Test Specification (section 2.2.2 and section 4) will be used.

Note 2. As NTEs for analogue circuits are typically transparent to the signals generated by customer equipment, a customer's equipment that is non-compliant to the ANFP may cause undue interference on the BT access network. It is the responsibility of the network operator providing service to that customer to resolve any interference issues caused by non-compliant customer equipment.

3.2. Enforcement on Customer Equipment

The essential requirements that customer equipment must meet before that equipment is allowed to be connected to any public network is defined in the UK implementation of RE&TTE directive [6]. For customer equipment to be connected to a public fixed network, the essential requirements are currently limited to safety and EMC.

General Condition 3 (of the General Conditions of Entitlement applicable to Communication Providers [5]) requires network operators² to maintain the integrity of their network. Further, General Condition 3.2 requires network operators to declare the conditions under which access to the network will be restricted or removed in order to protect the integrity of the network.

Hence network operators employing MPFs should declare that conformance to the ANFP by customer's equipment is a requirement for network integrity and that access to the network may be restricted if ANFP conformance is not maintained. Such a declaration should be made in the network operator's interface specifications for the relevant services. Publication of these interface specifications is a requirement under Article 4(2) of the RE&TTE Directive.

² this means all network operators, not just the network owner i.e. BT.

Where a customer's installation causes, or can reasonably be foreseen to cause, harmful interference to transmission systems used on different metallic pairs in the same (or other) access cable(s), BT may require that the interference be prevented, for instance by means of mitigation measures (e.g. by the addition of a filter), or by requesting authorisation for disconnection under Article 7.4 of the RE&TTE directive [6] or other relevant powers.

Note 1. Although, from a regulatory perspective, it is not a mandatory requirement for customer premises equipment (CPE) to conform to this ANFP, since this would be contrary to the RE&TTE directive [6], it is strongly recommended that CPE does conform to this ANFP.

Note 2. This specification only considers the limits relevant to control of interference between transmission systems on different lines. There may be other limits also applicable, and conformance to this specification does not necessarily satisfy those limits. Such other limits may include, for example, safety limits on line voltages (see BS EN 60950 [15]), RFI balance requirements, and line sharing limits.

3.3. Enforcement on Equipment installed prior to the publication of the ANFP

The ANFP has been developed taking account of existing equipment that has been deployed in significant volume. There may exist equipment deployed in relatively low volumes that does not comply with the ANFP e.g. existing CPE equipment approved for connection to analogue baseband circuits (q.v. OFTEL ANFP Determination [9]). It is intended that the ANFP should not be retrospectively applied to such equipment and such equipment will be allowed to continue working provided it does not cause undue interference to other systems. If one of these pre-ANFP systems is found to cause excessive interference, the resolution of the interference problem will be handled on a case-by-case basis.

If in the future the ANFP is amended, resulting in equipment that would have been compliant under the superseded edition of the ANFP not being compliant with the amended version of the ANFP, then the handling of such equipment needs to be taken into account as part of the considerations concerning the amendment of the ANFP.

3.4. Interference Management Guidelines

The DSL Task Group has produced guidelines on the steps that would normally be considered reasonable for an operator to take to try and resolve an interference complaint. Separate guidelines covering inter-network [16] and external [17] interference have been published.

For inter-network interference, the policy has been adopted to try to eliminate all outside causes of a reported problem before expensive investigation of the multiple systems within a cable is undertaken. That may of necessity involve a number of operators within an MDF site and could cause the interruption of service to a potentially large group of their customers.

More detail of these measures is given in the Inter-network Interference Guidelines [16] but this would involve for example: -

- Questioning the customer concerning what other equipment is connected to their line.
- Checking that the reduction in service reported by the customer is a valid complaint by:
 - Reviewing against the deployment rules to check that they have been followed.
 - Checking that the performance achieved does not meet that specified in the service level agreement. It is possible that higher rates than those predicted under the crosstalk noise environment defined by the ANFP could be achieved when the cable was lightly loaded with xDSL traffic but that this reduces as more users are added.
- Changing the DSLAM and Customer modems.
- Possibly checking the MPF for any significant change from its initial measured parameters.

It has been recognised that managing interference problems will only work if there is co-operation and trust between the operators involved. This will also require the rapid exchange of information concerning the technical details of the services being passed on pairs within an affected cable where the initial investigations, outlined above, fail to find the source of the problem.

4. PSD Mask Test Specification

This test specification defines tests to be used in a laboratory environment to determine conformance of telecommunications equipment to the requirements specified in the main body of the ANFP.

The tests here only relate to the requirements of the ANFP. Other limits, for example those related to safety, line balance, and interactions between systems on the same pair are out of scope.

Note 1. This test specification is for use in a laboratory environment only.

Note 2. Strictly the ANFP specifies limits at the ports of the access network, not for individual equipment per se. This specification is to verify that when deployed equipment would not violate the ANFP.

Note 3. Section 4.5 of this document is based on the equivalent specification contained in the ATIS standard "Spectrum Management For Loop Transmission Systems" [8]. The use and reproduction of extracts from that standard is provided with kind permission of ATIS (Alliance for Telecommunications Industry Solutions).

4.1. Reference Model

The ANFP limits the power that may be injected into a metallic pair in the BT access network at three interfaces, the MDF, SDF and NTP.

In the case of Local Loop Unbundling, there is another interface, the HDF (Handover Distribution Frame which is the equipment that terminates the tie cables). Managing crosstalk interference in the cabling between the HDF and the MDF or HDF and SDF is the responsibility of the network operator(s) using that cabling. The ANFP is applied at the MDF and SDF.

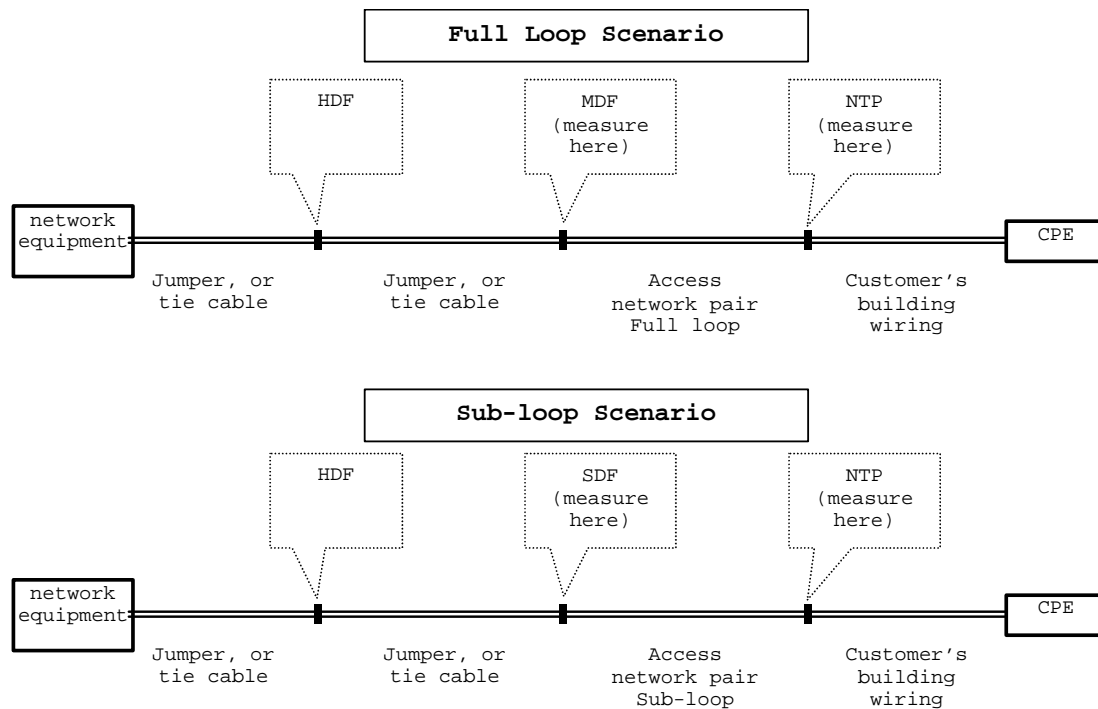


Figure 2: Network Interfaces to which the ANFP applies

4.2. Test Configuration

The equipment under test (“EUT”) will comprise the end equipment, any ancillaries that are always present³, and a load to represent the access network.

The equipment at each end is tested independently.

Equipment will be tested in all the modes that the operator proposes to use. Other modes, perhaps provided for use in other countries, need not be tested.

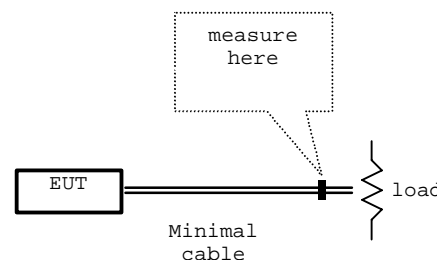


Figure 3: Test configuration

The limits applicable to each point of application of the ANFP (i.e. MDF, SDF, NTP) are different and for the SDF and NTP vary depending on the Cabinet Assigned Loss and line categorisation respectively. An EUT intended for connection at SDF or NTP shall be tested against the maximum, minimum and one, mid-level PSD mask chosen from the set of applicable PSD masks defined in Part B and Part C respectively.

4.3. Measurement Conditions

The prospective operator shall declare his deployment intentions for the equipment under test. This determines which modes the equipment is tested in, and which ANFP mask(s) it is tested against.

The measurement conditions below are derived from ISO/IEC 17025 [7], "Guidance Notes on Measurement Uncertainty" [4], and PD 7024 [3].

³ For example splitter filters, and connecting leads which are part of the kit supplied with the end equipment

4.3.1. Estimation of uncertainty of measurement

A laboratory or facility performing testing shall have and shall apply procedures for estimating uncertainty of measurement.

When estimating the uncertainty of measurement, all uncertainty components which are of importance in a given situation shall be taken into account using appropriate methods of analysis.

The test report or compliance statement shall include the uncertainty of measurement.

Note 1. It is recommended that measurement uncertainty be calculated as defined in [4].

Note 2. Sources contributing to uncertainty include, but are not necessarily limited to, the reference standards and reference materials used, methods and equipment used, properties and condition of the item being tested.

4.3.2. Compliance

Compliance to the requirements of this standard shall be reported on the shared risk principle as specified in [4] figures 1 to 3.

Compliance to these requirements shall be determined either by use of the test methods defined within this standard or by use of test methods and results obtained from other standards accompanied with a technical justification detailing how such results demonstrate compliance to this standard.

Note. The requirements of this standard are derived from a number of technology specific standards. In many cases it will be sufficient to test equipment to the specific design standard for their technology, and make a compliance statement to this standard following technical review of the results. The technical review should not be omitted as some options of specific technologies are excluded from these requirements and would present non-compliant results to this standard.

4.3.3. Calibration of test equipment

Equipment and its software used for testing shall be capable of achieving the accuracy required. Calibration programs shall be established for values of the instruments where these properties have a significant effect on the result

The equipment shall be calibrated to provide a 95% confidence level in the accuracy of the results.

4.3.4. General Conditions for Test

If the supplier has specified a temperature range within which the TE will be operational, the testing shall be performed within this range. The testing shall be performed within the temperature range 15 °C to 25 °C, if consistent with the temperature range declared by the supplier.

If the supplier has specified a humidity range within which the TE will be operational, the testing shall be performed within this range. The testing shall be performed within the humidity range 45% to 75%, if consistent with the humidity range declared by the supplier.

For equipment that is directly powered from the mains supply all tests shall be carried out within $\pm 5\%$ of the normal operating voltage.

If the equipment is powered by any other means and those means are not supplied as part of the equipment, (e.g. batteries, stabilised AC supplies, DC etc.) all tests shall be carried out within the power supply limit declared by the supplier.

If the power supply is AC the tests shall be conducted within $\pm 4\%$ of the stated UK supply frequency (50 Hz) and not at any range specified by the supplier.

Note. In general, equipment being tested for conformance to Part B (the SDF PSD mask) will be housed in street furniture. The environmental conditions obtaining in street furniture may vary considerably depending on the type used (e.g. cabinet or footway box) and whether any environmental control is provided. The purpose of the above test conditions is to ensure that the equipment conforms to the requirements of this specification when operating in the environment for which it is designed. It is the network operator's responsibility to ensure that the equipment is housed in an environment that is maintained within the designed operating conditions for the equipment.

4.3.5. Independence of polarity

The equipment shall conform independent of the polarity of the pair it uses. For a line powered EUT the tests shall be carried out twice, once with each polarity of connection of the power supply.

4.4. PSD Conformance Testing Methodology

The section specifies the conformance testing methodology to be used to demonstrate compliance to the requirements defined in section 2.1. The conformance testing methodology in this clause is derived from "Spectrum Management For Loop Transmission Systems" [8]. It shall be used to determine compliance with the signal power limitations requirements in the ANFP.

Note. Where this ANFP makes no requirements (e.g. longitudinal output, non-stationary signals), this document specifies no tests.

4.4.1. PSD measurement procedure

The limits applicable to a particular end equipment are discussed above, in section 4.2.

4.4.2. Test circuit for PSD measurement

A test set-up as pictorially shown in Figure 4 shall be used for measuring PSD. Examples of specific embodiments of this test set-up are shown in Figure 5 and Figure 6. The difference between Figure 5 and Figure 6 is the input impedance of the instrument to be connected to V_{out} ; Figure 5 assumes a high-impedance port, Figure 6 assumes a $50\ \Omega$ port (typical for a spectrum analyzer). The PSD may be tested while line powered or locally powered as required by the intended application of the EUT.

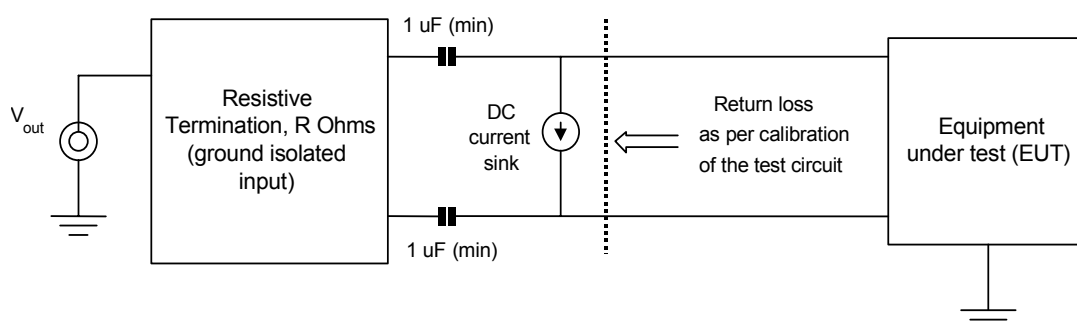


Figure 4 - PSD measurement set-up

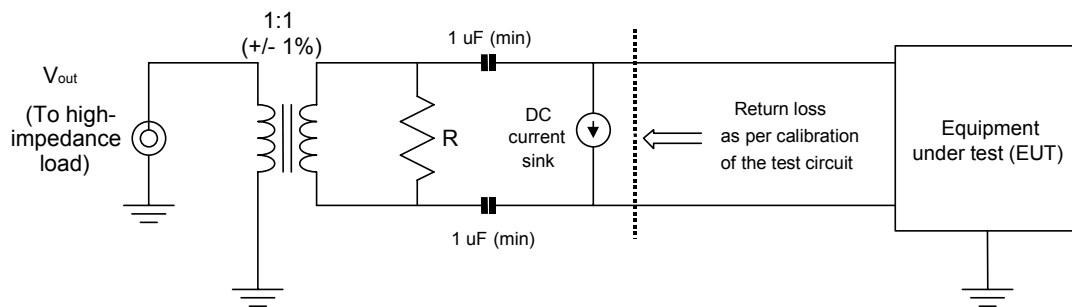


Figure 5 - Example PSD measurement set-up for high impedance instrument

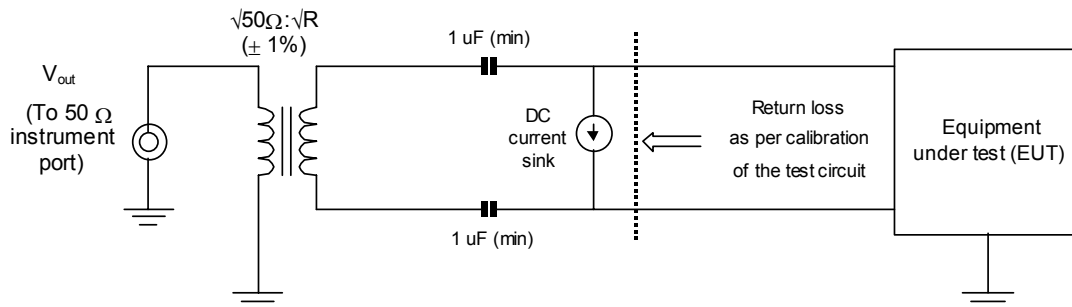


Figure 6 - Example PSD measurement set-up for 50 Ohm instrument

If the EUT neither sources nor sinks power the blocking capacitors may be omitted, as may the current sink. If present the capacitors shall be matched in value to within 1%.

If the EUT is line powered then the test circuit shall contain provisions for DC power feed, instead of the current sink.

For line powered applications, if the EUT is a TU-C the test shall be performed with the line power supply activated and an appropriate DC current sink (with high AC impedance) attached to the test circuit. If the EUT is a TU-R the test shall be performed with power (DC voltage) applied at the line interface by an external voltage source feeding through an AC blocking impedance. Note that the DC current source/sink must present high impedance (at signal frequencies) to common ground. The test circuit contains provisions for transformer isolation for the measurement instrumentation. Transformer isolation of the instrumentation input prevents measurement errors from unintentional circuit paths through the common ground of the instrumentation and the EUT power feed circuitry. When the termination impedance of the test circuit seen by the EUT output meets the calibration requirements defined in section 4.4.3, the test circuit will not introduce more than ± 0.25 dB error with respect to a perfect test load of exactly the specified resistance.

If the EUT is supplied with a voice-band splitter filter⁴ then the tests shall be carried out with the splitter in circuit but with no voice-band signal applied. Where the splitter has a connector for the voice-band connection, this shall be open circuit during tests. Where voice-band equipment is integrated with the splitter this equipment shall be quiescent during tests.

The EUT shall be measured by equipment that is not synchronous with the transmitted symbols of the EUT, and there shall be no synchronization between the measurement equipment and the EUT. This is to avoid any cyclo-stationarity effects causing a misleading measurement.

⁴ e.g. to allow DSL and ordinary telephony to share the line

4.4.3. Calibration of the test circuit and termination impedance

The nominal termination impedance of the test circuit as seen by the EUT output shall be resistive with a resistance of R between $100\ \Omega$ and $135\ \Omega$. If the EUT has been designed to a published standard then the resistive impedance specified in that standard shall be used (providing it is between $100\ \Omega$ and $135\ \Omega$). The minimum return loss with respect to the termination impedance R shall be 35 dB from 10 kHz to 2 MHz with a reduction of 20 dB/decade below and above these corner frequencies.

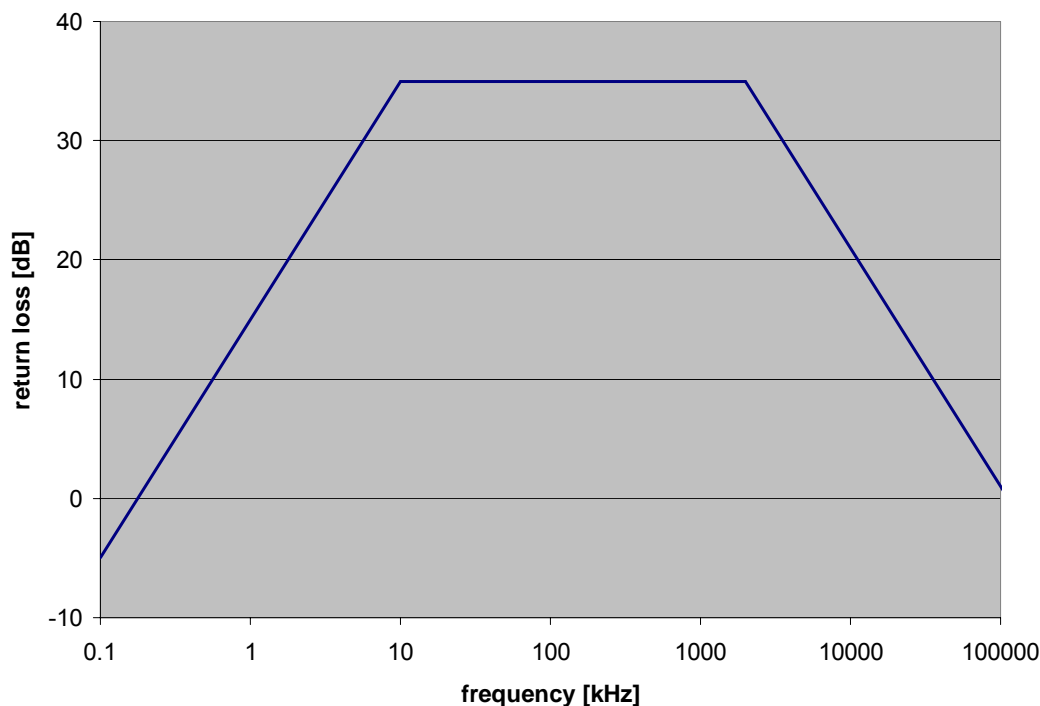


Figure 7 - Return loss mask

Figure 7 shows the return loss mask. The test circuit must exhibit this loss or higher at all frequencies.

- Note 1. No passive circuit can exhibit a negative return loss, so calibration has implied limits on the frequency band to be measured over.
- Note 2. 35 dB return loss will allow ± 0.20 dB measurement error with respect to the nominal termination impedance value, R .

4.4.4. Operation of the EUT

The EUT shall be tested while it transmits maximum power and maximum PSD levels at all measured frequencies, which it can transmit when deployed. The EUT shall have power cutback or boost configured to match the proposed deployment.

There are 2 methods of getting the EUT into the required configuration for testing:

- **Method 1** is for the EUT to have a special test mode that causes the EUT to transmit as it would normally in a steady state.
- **Method 2** is for the EUT to have a 'freeze' mode. This method allows the EUT to train up normally over a real or simulated loop in communications with a far end device and then places the EUT in a 'freeze' mode. In this freeze mode, the EUT continues to transmit at the same power levels even when it is not connected to the real or simulated loop and far end device.

Method 2 shall be used in the case when the PSD mask of the EUT is determined by the EUT based on its own measurement of line conditions (e.g. in the case of 3 - 5.1 MHz range of ANFP Part C). Method 1 or 2 may be used in all other cases.

The EUT shall be tested under steady state conditions, after all start-up and initialization procedures have been completed and while the EUT is transmitting data. To ensure that the EUT is in a steady-state condition, while undergoing test the EUT shall not have measured total average powers in distinct 1.25 millisecond time intervals that differ by more than 8 dB. The EUT input shall consist of a pseudo-random uniformly distributed data sequence, and the EUT output shall be a fully modulated transmit signal with all overhead, framing, coding, scrambling, modulation, filtering and all other operations performed on the data stream that the modem would normally perform while transmitting data.

Note. Although specific measurements of average power and PSD during start-up and other non-data transmission phases are not provided, a EUT that transmits inordinately high power or PSD levels during these phases may be considered to be in non-compliance with this standard.

4.4.5. Power spectral density (PSD) measurement procedure

4.4.5.1. PSD resolution bandwidth

The nominal frequency of a measurement will be the centre frequency of its resolution bandwidth. Instrument Resolution Bandwidth (RBW) shall be 10 kHz. Measurements will be at integer multiples of 10 kHz, starting at 10 kHz, so the lowest frequency measurement will be nominally 10 kHz and actually a window from 5 kHz to 15 kHz.

Inside the signal bands defined in tables the measured values for each 10 kHz band shall be compared against the masks individually. Outside the signal bands the measured values will be averaged in overlapping groups of one hundred 10 kHz bands, to produce the effect of a 1 MHz RBW sliding window; the averaged values will be compared against the masks.

The mask value to be compared against shall be the maximum value the mask takes within the effective window. (Typically the first few steps of the 1 MHz sliding window will be compared against substantially higher values than the mask at the nominal centre frequency would suggest).

For the ANFP masks this means the bandwidth resolutions used will be depend on which PSD mask the EUT is being tested for compliance. The required bandwidth resolution is defined in the relevant Part (i.e. Part A, B, C or D) of this document.

4.4.5.2. PSD Integration Time

Measurements shall be averaged over a sufficiently long time that the contribution to measurement uncertainty shall be no worse than 0.1 dB with 95% confidence. (For some spectrum analysers this will imply limits on video bandwidth and sweep time).

4.5. Non-stationary Signals

This sub-section is informative and not normative. It concerns equipment that only transmits power intermittently – typically when there is data to send. The significant impact of such signals is due to their power when transmitting, not an average over all time.

It is technically difficult to specify how to measure intermittent signals, unless the equipment has a continuous signal test mode (in which case it may be sufficient to conduct tests in that mode, as for normal equipment). Furthermore, at time of writing there is little practical interest in deploying such equipment under the ANFP. Therefore a normative laboratory test specification is not provided.

Note: The ATIS Spectrum Management specification [8] does specify some tests for such signals, in its section 6.5 “Short-term stationary conformance criteria”.

5. ANFP User Guide and Background Information

The ANFP has been developed taking, as far as possible, a technology neutral approach. The criteria and method used to construct the ANFP is defined in ANFP Issue 2 [1], Annex E and Section 2 respectively.

The ANFP defines the maximum signal power levels that may be transmitted into the BT access network at the various points of connection with the objective of managing the crosstalk interference. It does *not* directly define what xDSL systems may be connected to the BT access network or what bandwidth services may be deployed. Guidance on what ANFP-compliant xDSL systems may be connected to the BT access network is given in the DSL Guidelines [18]. However, it should be noted that it is the responsibility of owner of the xDSL system connected to the BT access network to ensure that the equipment is, and remains, ANFP compliant and it is this ANFP specification that is the authoritative document, not the DSL Guidelines.

6. ANFP Change Control Procedure

The following ANFP Change Control Procedure is agreed and adopted by the NICC DSL Task Group⁵.

Recognising that:

- a) the implementation of the ANFP limits the type of telecommunications system that can be connected to the BT Access Network and the location of that connection.
- b) the implementation of the ANFP limits the noise experienced by systems connected to the BT Access Network.
- c) the business plans of network operators, service providers and customers may be affected by changes to the ANFP. Hence the stability of the ANFP (i.e. minimum period that could exist before the ANFP could be changed to the detriment of an organisations or individuals plans) needs to be defined in order that commercial risks can be assessed and investment decisions taken.
- d) multiple amendments to the ANFP will have a cumulative impact on existing systems, perhaps leading to significant degradation of service even if no individual amendment is significant.
- e) experience with the operation of the BT Access Network in a multi-operator environment may provide improved understanding of the complex crosstalk interaction between telecommunication systems operating on different metallic pairs within the BT Access Network. This improved understanding may result in the need to amend the ANFP.

The NICC DSL Task Group adopt the following change control procedure for the ANFP:

1. A proposal to amend the ANFP may be submitted at any time by any interested party. The proposal shall be submitted to Ofcom. It is recommended that Ofcom requests:
 - The NICC DSL Task Group to provide advice on the technical acceptability of the proposed amendment.
 - The UK LLU Products and Commercial Group to consider the commercial acceptability of the proposed amendments and request technical work to be completed by the NICC DSL Task Group.
2. Any proposal to amend the ANFP should contain: -
 - an impact assessment statement on at least the telecommunication systems listed in DSL Guidelines [18].
 - a proposed date for implementation.

⁵ The NICC DSL Task Group is not a permanent body and the Task Group will close once all the deliverables allocated to the group have been completed. The requirement to consider proposals to modify the ANFP may exist after the closure of the DSL Task Group. In this case, it is recommended that Ofcom ask an appropriate UK industry forum to consider the proposed amendment and that that UK industry forum adopts these change control procedures.

3. The NICC DSL Task Group will adopt a proposed ANFP amendment if there is consensus agreement i.e. there is no sustained objection from any member of the Task Group. The Task Group will take into account:
 - the impact of the proposed amendment on the current issue of the ANFP
 - the desire that any future changes should not have a worse effect on ADSL2+, than ADSL2+ on itself.
 - the need to discourage changes that would be likely to further erode the cross-talk noise environment, and might lead to denial of service, loss of service, or reduction in service quality for existing services. In the case of a proposal for such a relaxation, it is recommended that full consideration be given to the public interest benefit of such a change.
 - the need to encourage changes that would improve the overall crosstalk noise environment in the long term, with the objective of increasing the ubiquity of broadband services.
4. Any objection to a proposed amendment should be supported by technical data to support the reasons for the objection.
5. Where there is no consensus agreement, the proposed amendment shall be passed to Ofcom for determination.

Changes to this ANFP Change Control procedure shall be via consensus agreement in the NICC DSL Task Group. Failure to reach consensus agreement will result in the proposed ANFP Change Control amendment being passed to Ofcom for determination.

7. Abbreviations

ADSL	Asymmetric Digital Subscriber Line
ADSL2+	A variant of ADSL defined in ITU-T Recommendation G.992.5
ANFP	Access Network Frequency Plan
ANFP-S	Access Network Frequency Plan for the Sub-loop
ATIS	Alliance for Telecommunications Industry Solutions 1200 G Street, NW, Suite 500 Washington, DC 20005 USA Tel +1 202-628-6380 Homepage http://www.atis.org
BT	British Telecommunications plc <i>(bridged taps are not discussed in this document)</i>
CAL	Cabinet Assigned Loss, a parameter that describes the electrical length of the cables between an MDF site and a connected SLCP.
CCITT	The International Telegraph And Telephone Consultative Committee, part of the ITU
CPE	Customer Premises Equipment
DC	Direct Current
DP	Distribution Point – the final flexibility point in the BT access network before the line reaches its customer
DSL	Digital Subscriber Line - any of the modem technologies that send high speed data over metallic telephone pairs. A DSL line has a dedicated modem at each end of the physical wire pair; typically one of these is in the exchange
DSL TG	Digital Subscriber Line Task Group A Task Group under NICC
DSLAM	DSL Access Multiplexer, the responsible for supplying DSL services at the MDF Site or SLCP.
DTI	Department of Trade and Industry
DTMF	Dual Tone Multi Frequency, a signalling systems used by telephones.
EMC	Electromagnetic Compatibility
EO	Exchange Outlet (lines), local loops that do not pass through a cabinet and which therefore are not accessible via an SLCP.
ETSI	European Telecommunications Standards Institute
EUT	Equipment Under Test.
HDF	Handover Distribution Frame
HDSL	High bit rate Digital Subscriber Line
IEC	International Electrotechnical Commission, an international standardisation body
ISO	International Organisation for Standardisation
ITU	International Telecommunications Union, an international standardisation body
LF	Low Frequency, in this connection usually meaning <150kHz.
LLUO	Local Loop Unbundled Operator
MDF	Main Distribution Frame
MPF	Metallic Path Facility - a term used for the loop available to LLUOs
NICC	Network Interoperability Consultative Committee - a committee of UK industry; homepage: http://www.nicc.org.uk

NTE	Network Termination Equipment, equipment containing the NTP, often a white socket on the wall of a customer's premises.
NTP	Network Termination Point (The legal demarcation between the network provider's cabling and the customer's in-house wiring. On a telephone line this point often has a master socket or NTE)
POTS	Plain Ordinary Telephone Service - analogue voiceband telephony
PSD	Power Spectral Density
RBW	Resolution BandWidth
RE&TTE	Radio Equipment and Telecommunications Terminal Equipment - [6]
RFI	Radio Frequency Interference
SDF	Sub-loop Distribution Frame
SDSL	Symmetric single pair high bitrate Digital Subscriber Line A term used in ETSI to refer to SHDSL. This should not be confused with the USA use of the term 'SDSL' which refers to DSL systems similar to HDSL.
SHDSL	Single-pair High-speed Digital Subscriber Line
SLCP	Sub-Loop Connection Point
T1E1.4	T1E1.4 was the name of the ATIS working group concerned with DSL for North America. This working group has been renamed NIPP-NAI. Please see URL for further information http://www.atis.org/0050/nai.asp
TE	Terminal Equipment, usually referring to POTS CPE
TU-C	Terminal Unit-Central, the transmission equipment normally at the MDF site or SLCP.
TU-R	Terminal Unit-Remote, the transmission equipment normally at the customer premises.
VDSL	Very high speed Digital Subscriber Line
xDSL	any variant of DSL modem e.g. ADSL, HDSL, SHDSL or VDSL

8. References

- [1] NICC ND 1602:2002/11
Issue 2; November 2002
"Specification of the Access Network Frequency Plan applicable to transmission systems used on the BT Access Network"
Ofel Technical Requirement OTR004:2002 Issue 2
available at <http://www.nicc.org.uk/nicc-public/publication.htm>
- [2] NICC ND 1602:2005/08
"Specification of the Trial Access Network Frequency Plan applicable to transmission systems used on Sub-loops in the BT Access Network"
Issue 3
August 2005
available at <http://www.nicc.org.uk/nicc-public/publication.htm>
- [3] "Essential requirements for terminal equipment intended for Connection to unstructured digital leased circuits of the public Telecommunications network using a CCITT Recommendation G.703 interface at a rate of 2048 kbit/s with a 75 Ω unbalanced presentation"
PD 7024: 1994
available from BSI, see URL <http://www.bsi-global.com/>

- [4] ADLNB WG-2 (chairman C. P. Raymont)
"Guidance Notes on Measurement Uncertainty"
GN/WG2/1 issue 3 dated 19 March 1998

In the methods of [4] there is separation between requirements specification and the capabilities of any particular test house. ADLNB has been incorporated into a larger body, the "R&TTE Compliance Association" (see <http://www.rteca.com/>)

- [5] NOTIFICATION UNDER SECTION 48(1) OF THE COMMUNICATIONS ACT 2003
Notification setting general conditions under section 45 of the Communications Act 2003
available at
http://www.ofcom.org.uk/static/archive/oftel/publications/eu_directives/2003/cond_fina10703.pdf

- [6] The Crown
"The Radio Equipment and Telecommunications Terminal Equipment Regulations 2000"
UK Statutory Instrument 2000 No. 730
published on 13 March 2000
Authoritative version: ISBN 0 11 098835 3
Internet version: <http://www.hms0.gov.uk/si/si2000/20000730.htm>

This transposes the EC directive 99/5/EC into UK law. There is a discussion of the process at <http://www.dti.gov.uk/strd/rtte.html>

- [7] "General requirements for the competence of testing and calibration laboratories"
ISO/IEC 17025: 1999
available at <http://www.standardsinfo.net/isoiec/stdcat.html>

- [8] ATIS NIPP NAI
"Spectrum Management For Loop Transmission Systems"
T1.417-2003
may be downloaded from <http://www.atis.org/doccenter.shtml>

- [9] OFTEL
"Access to Bandwidth: Determination on the Access Network Frequency Plan (ANFP) for BT's Metallic Access Network"
may be downloaded from
<http://www.ofcom.org.uk/static/archive/oftel/publications/broadband/llu/anfp1000.htm>

- [10] TBR 21
"Terminal Equipment (TE); Attachment requirements for pan-European approval for connection to the analogue Public Switched Telephone Networks (PSTNs) of TE (excluding TE supporting the voice telephony service) in which network addressing, if provided, is by means of Dual Tone Multi Frequency (DTMF) signalling"
January 1998
may be downloaded from <http://www.etsi.org/>

- [11] EN 301 437
"Terminal Equipment (TE); Attachment requirements for pan-European approval for connection to the analogue Public Switched Telephone Networks (PSTNs) of TE supporting the voice telephony service in which network addressing, if provided, is by means of Dual Tone Multi Frequency (DTMF) signalling"
June 1999
may be downloaded from <http://www.etsi.org/>

- [12] EG 201 121
"A guide to the application of TBR 21"
February 2000
may be downloaded from <http://www.etsi.org/>
- [13] TR 103 000-2-1
"Advisory Notes to Standards Harmonizing Terminal Interface; Generally applicable
Advisory Notes; Modification to sending spectral density requirements"
February 2002
may be downloaded from <http://www.etsi.org/>
- [14] BS6305:1992
"General requirements for apparatus for connection to public switched telephone
networks run by certain public telecommunications operators"
1992
available from BSI – see <http://bsonline.techindex.co.uk/>
- [15] BS EN 60950-1:2002
"Information Technology Equipment – Safety; General Requirements"
2002
available from BSI – [see http://bsonline.techindex.co.uk/](http://bsonline.techindex.co.uk/)
- [16] NICC ND1404:2005/07
"Guidelines for any inter-network interference issues between DSL operators in the
same access network"
Issue 2, March 2002
available at <http://www.nicc.org.uk/nicc-public/publication.htm>
- [17] NICC ND1403:2005/07
"Guidelines for any external network interference issues to radio users due to
radiated emissions from fixed public networks"
Issue 1, March 2002
available at <http://www.nicc.org.uk/nicc-public/publication.htm>
- [18] NICC ND1405:2007/03
"Guidelines on the use of DSL Transmission Systems in the BT Access Network "
Issue 2
available at <http://www.nicc.org.uk/nicc-public/publication.htm>
- [19] ITU-T Recommendation G.993.1
"Very high speed digital subscriber line"
(06/2004)
available at
<http://www.itu.int/rec/recommendation.asp?type=items&lang=e&parent=T-REC-G.993.1-200406-P>
- [20] NICC ND1602:2007/03 Spreadsheet
"Spreadsheet of PSD Mask Data Definition given in Sections A.3, B.4 and C.4 of
ND1602:2007/03"
available at <http://www.nicc.org.uk/nicc-public/publication.htm>
- [21] DSL Forum
WT-114 "G.vdsl2 Performance Test Plan" and WT-115 "G.vdsl2 Functionality Test
Plan."
*(Note that these are very embryonic drafts at the time of writing, not expected to
complete until late 2007)*

9. Document History

Issue 1	September 2000	First issue
Issue 1.1	November 2000.	Addition of ANFP User Guide
Issue 2	November 2002	Amended to include extra short category; added alternative requirements and tests for voiceband frequencies.
Issue 3	August 2005	A complete revision of ANFP, Issue 2 and ANFP-S, Issue 1 including the incorporation of the use of ADSL2+.
Issue 4	March 2007	Amended to include ultra short line category.

Part A ANFP PSD Mask Definition for MDF

A.1 Introduction

This part of the ANFP specifies the PSD Mask that applies to transmission equipment connected to the MDF at an MDF site when that MDF is connected to cables routed to the NTP via a SLCP. This part also applies in the case where the MDF is connected to cables routed directly to the NTP (i.e. with no SLCP in the routing) and where those cables are in the same cable sheath as metallic access cables routed via a SLCP.

Note: Part D applies in the case where the MDF is connected to cables routed directly to the NTP (i.e. with no SLCP in the routing) and where those cables are *not* in a cable sheath with any metallic access cables routed via a SLCP.

A.2 Status

This part of the ANFP specification is substantive i.e. there are no planned changes to this part of the ANFP and any proposals to change this part of the ANFP shall follow the ANFP change control procedure (section 6).

A.3 PSD Mask Specification

The (downstream) MDF PSD Mask is as shown in Figure A.1 and is specified in Table A.1

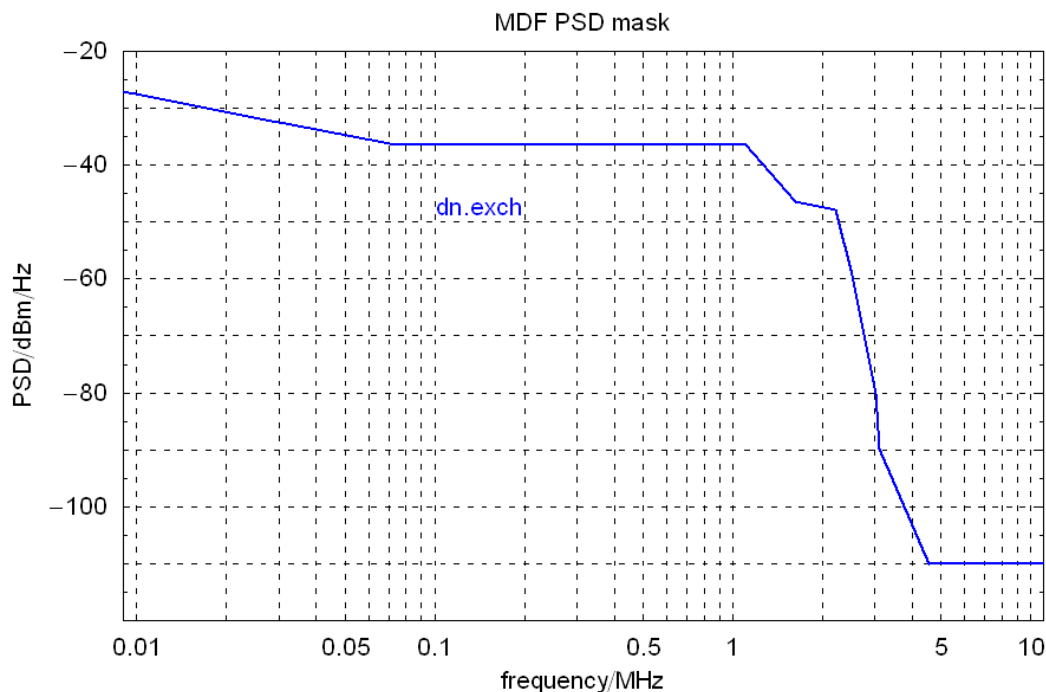


Figure A.1 - MDF PSD Mask

The mask is defined in the data given in Table A.1. The tabulated data defines the corners of the mask. Between the given corners, the mask values are defined by interpolation (as a straight line on log frequency/linear dB axes).

Frequency MHz	MDF PSD dBm/Hz
0.0001	-24.93
0.00401	-24.94
0.006058	-25.66
0.007177	-26.23
0.029769	-32.48
0.03	-32.5
0.030145	-32.54
0.074273	-36.5
1.104	-36.5
1.622	-46.5
2.208	-47.8
2.5	-59.4
3.0015	-80
3.0861	-89.893
4.545	-110
30	-110

Table A.1 - MDF PSD Mask specification

Note: The data given in Table A.1 is available in electronic format [20]. In the event of any discrepancy between the data given in the spreadsheet [20] and that in Table A.1, the data in Table A.1 applies.

A.4 Test Specification

The test specification specified in section 4 applies using the resolution bandwidths specified in Table A.2

Frequency Band	Resolution Bandwidth
100 Hz to 5 kHz	100 Hz
5 kHz to 3095 kHz	10 kHz
3095 kHz to 30005 kHz	1 MHz

Table A.2 - Resolution Bandwidth for measuring against MDF PSD Mask

- End of Part A -

Part B ANFP PSD Mask Definition for SDF

B.1 Introduction

This part of the ANFP specifies the PSD Mask that applies to transmission equipment connected to the SDF at an SLCP site.

B.2 Status

This part of the ANFP specification has trial status.

This is in recognition that at the time of production of this issue of the ANFP, the international standards, particularly for VDSL2, do not fully specify the downstream power management required to comply with the PSD mask defined in section B.4.

The intention is to update this part of the ANFP once the international standards are finalised. There is no guarantee that any resultant changes to this part of the ANFP will be fully backward compatible. Depending on the changes made to produce the confirmed ANFP for the SDF, the confirmed SDF ANFP may require systems deployed under this trial SDF ANFP to be either 'grand fathered'⁶ or disconnected from the BT access network. Operators deploying systems under this trial SDF ANFP need to take account of this fact and consider this risk in any relevant business case.

B.3 Cabinet Assigned Loss

The ANFP defines a range of PSD masks for the cabinet SDF depending on the loss from the MDF site to the SDF site. As there may be more than one type and route of cable between these two sites with disparate losses the nominal loss for a given cabinet may be based on the statistics of these losses, with the resulting loss figure being called the Cabinet Assigned Loss (CAL).

A Cabinet Assigned Loss will be identified for all BT cabinets based on estimates of the losses of all the cables between the MDF site and the SDF site. New BT cabinets will be given a Cabinet Assigned Loss upon completion of their installation. Once the assignment has been made, it is fixed and will only change if that cabinet (or the cables terminating on the cabinet) are subject to a significant engineering modification (e.g. re-routeing due to a road development scheme) or to an ANFP assignment check process that results in a change in the assignment.

The Cabinet Assigned Loss is in terms of 'electrical distance' from the MDF, defined by loss values at 300kHz - this is the parameter CAL in Table B.1. The actual value of the Cabinet Assigned Loss can be plugged into table B.1 as the value of CAL in order to derive the mask applicable to that cabinet. Masks as appearing in Figure B.1 will result from evaluating the table with the given values of CAL.

B.4 PSD Mask Specification

Some of the possible (downstream) SDF PSD masks are shown in Figure B.1. Table B.1 can be used to obtain a mask for any Cabinet Assigned Loss by evaluating its contents substituting CAL with the given Cabinet Assigned Loss.

⁶ 'Grandfathered' means that the existing system may be allowed to continue operating but no new systems of this type would be allowed.

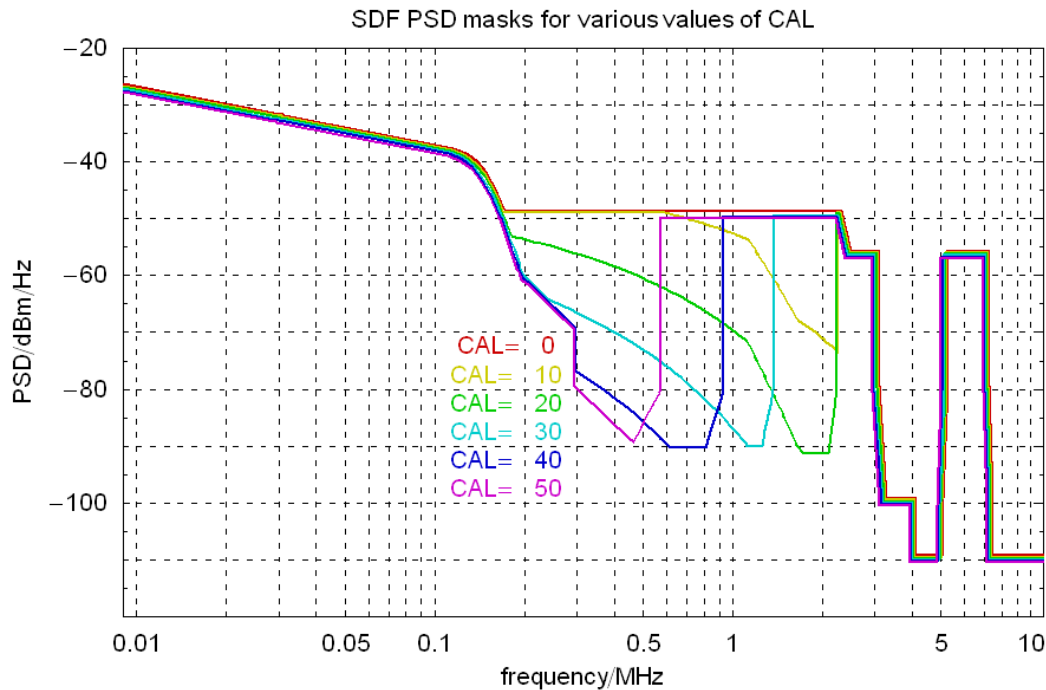


Figure B.1 - SDF PSD masks for various values of CAL
 (note: the lines plotted in this graph have been nudged from their true positions to help clarify their tracks as without doing this many lines would lie on top of each other)

The masks are defined by the data given in Table B.1. The tabulated data in the right-most column defines the corners of the mask. Between the given corners, the mask values are defined by interpolation (as a straight line on log frequency/linear dB axes).

In order to get appropriate values for the right most column, the intermediate columns must first be calculated:

The second column, headed “LF_part” describes low frequency signals that are permitted without power control at the SDF.

The third column, headed “from_MDF” describes signals that are permitted downstream at the exchange and corresponds with the mask of Table A.1.

The fourth column, headed “attenuation” is a simplified function fit designed to model the loss of E-side cables. It does this on the basis of a single parameter, CAL, and it is this column that is influenced by this parameter. Subtracting “attenuation” of column 4 from “from_MDF” of column 3 therefore generates an estimate of the maximum strength of a signal from the MDF as it passes the cabinet.

The fifth column, “boost” describes a high-pass PSD, enabling frequencies above f_{max} to be transmitted unattenuated. f_{max} is calculated as shown in the header row of the table by solving the equation $from_MDF(f) - attenuation(f) = -101.5$ for f . The value of f_{max} is then constrained to the range 0.552 to 2.208 MHz to eliminate unusable solutions. The actual “boost” PSD is then obtained by interpolating the five co-ordinates in column 5, given f_{max} , on the usual straight line on log frequency/linear dB axes.

Finally the SDF PSD of the right-most column is derived by choosing among the PSDs from the previously calculated columns in the algorithmic way defined. In words this consists of choosing either $from_MDF - attenuation$ or $boost$ or -91.5 whichever is largest, then choosing either this result or -49.5 , whichever is smallest, then choosing either this result or LF_part , whichever is largest.

The reason for the very long list of frequencies in column one is that the entered values ensure the functions are calculated at all the critical intersection points of the columns for a wide range of values of CAL (0 to 52 dB in steps of 2 dB).

$$f_{max} = \max(0.552; \min(2.208; {}^7\text{solve}(\text{from_MDF}(f) - \text{attenuation}(f) = -101.5)))$$

f MHz	LF_part dBm/Hz	from_MDF dBm/Hz	attenuation dB	boost dBm/Hz	SDF PSD dBm/Hz
0.000100					-24.25
0.004010					-24.94
0.006058					-25.66
0.007177					-26.23
0.029549					-32.46
0.030000					-32.50
0.030286			⁸ X		-32.57
0.113066					-38.38
0.125211					-39.41
0.135572					-40.85
0.145222					-42.82
0.155286					-45.51
0.166091	-48.92	-36.50	X	X	-48.92
0.167711	a	⁹ a			
0.168514	a	a			
0.173677	a	a			
0.179000	-53.37	a			
0.179093	a	a			
0.184151	a	a			
0.189451	a	a			
0.193000	a	a			
0.193467	-58.52	a			
0.194000	a	a			
0.195528	a	a			
0.199000	a	a			
0.199724	-60.16	a			
0.200000	a	a	CAL * (0.4218 + 0.8136 * \sqrt{f} + 0.4417 * f)	¹⁰ interpolate((0.167711; -95); (fmax-0.175; -95); (fmax-0.001; -80); (fmax; -49.5); (2.208; -49.5))	¹¹ max(LF_part; ¹² min(-49.5; max(-91.5; boost; from_MDF- attenuation)))
0.211479	a	a			
0.226000	a	a			
0.241718	a	a			
0.242706	a	a			
0.264000	a	a			
0.286050	a	a			
0.300000	-69.00	a			
0.300150	a	a			
0.300351	a	a			
0.300552	a	a			
0.300753	a	a			
0.300954	a	a			
0.301000	-79.00	a			
0.318000	a	a			
0.336000	a	a			
0.354000	a	a			
0.372895	a	a			
0.392000	a	a			
0.411000	a	a			
0.431000	a	a			
0.452118	a	a			
0.472343	a	a			
0.500000	-90.00	a			
0.515697	a	a			
0.551000	a	a			
0.552000	a	a			

⁷ fmax is found by solving this equation for f, but restricting the solution to the range 0.552 – 2.208 MHz.

⁸ “X” means the values in these parts of the table are irrelevant as they do not influence the value of the right-most column.

⁹ The symbol “a” means that the value for this frequency can be obtained by linear interpolation on a log frequency scale of the values given in the nearest preceding and following rows that actually contain a numerical value.

¹⁰ this component of the PSD depends on fmax, extending down from 2.208 MHz to 0.552 MHz as CAL increases.

¹¹ The function max(x;y;...) means x or y, whichever is closest to +∞

¹² The function min(x;y) means x or y, whichever is closest to -∞

$$f_{max} = \max(0.552; \min(2.208; \sqrt[7]{\text{solve}(\text{from_MDF}(f) - \text{attenuation}(f) = -101.5)}))$$

f MHz	LF_part dBm/Hz	from MDF dBm/Hz	attenuation dB	boost dBm/Hz	SDF PSD dBm/Hz
0.555757	a	a	CAL * (0.4218 + 0.8136 * √f + 0.4417 * f)	interpolate((0.167711;-95); (fmax-0.175;-95); (fmax-0.001;-80); (fmax;-49.5); (2.208;-49.5))	max(LF_part; min(-49.5; max(-91.5; boost; from MDF- attenuation)))
0.579027	a	a			
0.581455	a	a			
0.582455	a	a			
0.621270	a	a			
0.637736	a	a			
0.638736	a	a			
0.649711	a	a			
0.673000	a	a			
0.695906	a	a			
0.700452	a	a			
0.701452	a	a			
0.728936	a	a			
0.770583	a	a			
0.771583	a	a			
0.781367	a	a			
0.818138	a	a			
0.849308	a	a			
0.850308	a	a			
0.879782	a	a			
0.919072	a	a			
0.938057	a	a			
0.939057	a	a			
0.993847	a	a			
1.011825	a	a			
1.038579	a	a			
1.039579	a	a			
1.083405	a	a			
1.104000	a	-36.50			
1.115835	a	a			
1.131023	a	a			
1.132023	a	a			
1.162598	a	a			
1.191514	a	a			
1.193843	a	a			
1.202399	a	a			
1.203399	a	a			
1.250679	a	a			
1.281361	a	a			
1.281396	a	a			
1.282396	a	a			
1.346324	a	a			
1.349225	a	a			
1.369286	a	a			
1.370286	a	a			
1.380244	a	a			
1.400000	-90.00	a			
1.448180	a	a			
1.467647	a	a			
1.468647	a	a			
1.536799	a	a			
1.546807	a	a			
1.578462	a	a			
1.579462	a	a			
1.622000	a	-46.50			
1.622545	a	a			
1.707533	a	a			
1.757552	a	a			
1.758552	a	a			
1.869121	a	a			
1.931000	a	a			
1.994263	a	a			
2.003923	a	a			

$$f_{max} = \max(0.552; \min(2.208; \sqrt[7]{\text{solve}(\text{from_MDF}(f) - \text{attenuation}(f) = -101.5)}))$$

f MHz	LF_part dBm/Hz	from_MDF dBm/Hz	attenuation dB	boost dBm/Hz	SDF PSD dBm/Hz
2.004923	a	a	CAL * (0.4218 + 0.8136 * √f + 0.4417 * f)	interpolate((0.167711;-95); (fmax-0.175;-95); (fmax-0.001;-80); (fmax;-49.5); (2.208;-49.5))	max(LF_part; min(-49.5; max(-91.5; boost; from_MDF- attenuation)))
2.072331	a	a			
2.110313	a	a			
2.162299	a	a			
2.207000	a	a			
2.207031	a	a			
2.207202	a	a			
2.207372	a	a			
2.207543	a	a			
2.207714	a	a			
2.207885	a	a			
2.208000	-104.32	-47.80	X	X	-49.50
2.209000	X	X	X	X	-49.50
2.249000					-49.50
2.423000					-56.50
3.000000					-56.50
3.001000					-80.00
3.175000					-100.00
4.000000					-100.00
4.001000					-110.00
4.924000					-110.00
4.925000					-100.00
5.099000					-80.00
5.100000					-56.50
7.050000					-56.50
7.051000					-80.00
7.225000					-100.00
7.226000					-110.00
30.000000					-110.00

Table B.1 - SDF PSD mask defined in terms of CAL

Note: The data given in Table B.1 is available in electronic format [20]. In the event of any discrepancy between the data given in the spreadsheet [20] and that in Table B.1, the data in Table B.1 applies.

B.5 Test Specification

The test specification specified in section 4 applies using the resolution bandwidths specified in Table B.2.

Frequency Band	Resolution Bandwidth
100 Hz to 5 kHz	100 Hz
5 kHz to 3005 kHz	10 kHz
3005 kHz to 5095 kHz	1 MHz
5095 to 7055 kHz	10 kHz
7055 to 30005 kHz	1 MHz

Table B.2 - Resolution Bandwidth for measuring against MDF PSD Mask

It is noted that the part of the stopband between 3.005 and 5.095 MHz has a lower mask over a range of frequencies less than 1 MHz wide, namely between 4.001 MHz and 4.924 MHz. As an exception the 1MHz PSD may be computed by averaging over a narrower range (900 kHz) in this range. This exception is supported by the final paragraph of section 6.2.2 of [19].

Part C ANFP PSD Mask Definition for NTP

C.1 Introduction

This part of the ANFP specifies the PSD Mask that applies to equipment connected to the NTP at customers' premises.

C.2 Status

This part of the ANFP specification is substantive i.e. there are no planned changes to this part of the ANFP and any proposals to change this part of the ANFP shall follow the ANFP change control procedure (section 6).

C.3 Line Categorisation

This part of the ANFP defines different NTP PSD masks for the customer end depending on distance from the MDF site - primarily the electrical line length but also taking account the categorisation of other lines terminating at the same DP (Distribution Point).

This classification into ultra short ("ushort"), extra short ("eshort"), short, medium and long is applied to all existing BT line ends based on an estimate of the insertion loss of a line to the exchange. New BT lines will be classified upon completion of their installation. Once the classification has been undertaken, the classification for a given end is fixed and will only change if that line (or the lines terminating on the same DP) is subject to a significant engineering modification (e.g. re-routeing due to a road development scheme) or to an ANFP category check process that results in a change in the category.

Like all other lines, the classification allocated to private circuits would be fixed and would only change if the lines forming that private circuit were subject to significant engineering modification.

The categorization of customers' locations is in terms of 'electrical distance' from the MDF, defined by loss values at 100 kHz, for a nominal line to the MDF. The categories are defined in Table C.1 and illustrated in Figure C.2.

Category name	is applied to interfaces at these locations
ushort	the customer NTP where electrical distance from the MDF is 11 dB or less
eshort	the customer NTP where electrical distance is 21 dB or less but over 11 dB
short	the customer NTP where electrical distance is 26 dB or less but over 21 dB
medium	the customer NTP where electrical distance is 29 dB or less but over 26 dB
long	the customer NTP where electrical distance from the MDF is over 29 dB

Table C.1 – ANFP Interface Category Definitions

Note that despite the names it is the interfaces that are categorized, and that neighbouring line interfaces have the same limits irrespective of the electrical properties of their respective pairs¹³. Hence in general all interfaces sharing a given DP¹⁴ will be categorized the same.

¹³ because spectrum management is about limiting harm to neighbours, not directly about what a given line is capable of

¹⁴ Distribution Point – the final flexibility point in the BT access network before the line reaches its customer.

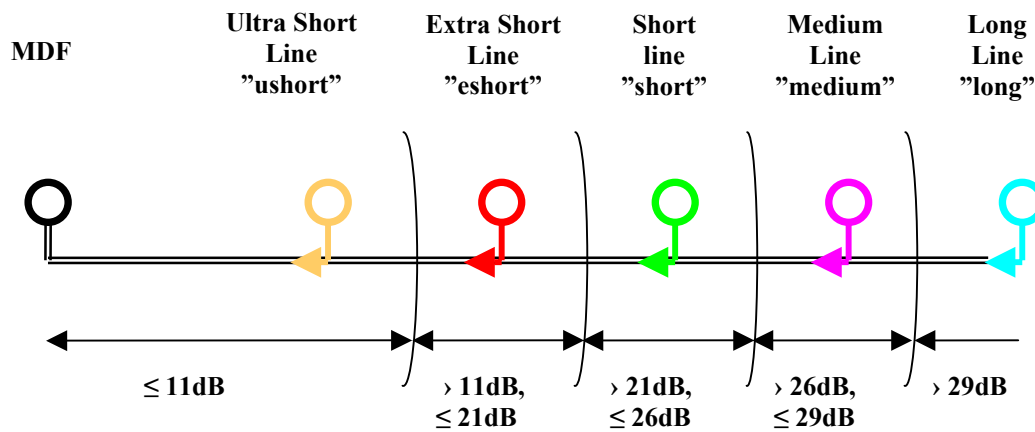


Figure C.1 – The ANFP Interface Categories

In addition each of the masks incorporates a power-controlled band between 3 and 5.1 MHz in which the transmit mask is dependent on estimated distance (in terms of electrical length) of the NTP from the SDF at the cabinet. It is the responsibility of the operator of equipment at the SDF to estimate this electrical length and impose appropriate controls on the equipment at the customers' premises. Equipment that is not aware of its distance from the SDF must assume that this distance is zero and comply with the version of the mask for its ANFP category that results from this assumption.

Note: The DSL Forum produces the guidelines for interoperability performance of DSL transceivers. For VDSL2, the relevant test plans are [21].
The DSL Forum also works with a number of Independent Test Laboratories (ITLs, see http://www.dslforum.org/aboutdsl/testhouse_index.html) who are expert at undertaking interoperability and performance assessments of various vendors DSL equipment in accordance with DSL Forum published test plans. Service providers can make use of such results to determine the service deployment rules that meet their business requirements.

C.4 PSD Mask Specification

Some of the possible (upstream) NTP PSD Masks for each line category are shown in Figure C.2 for a range of possible values of k_{10} . The masks are defined in terms of an arbitrary value of k_{10} in Table C.2.

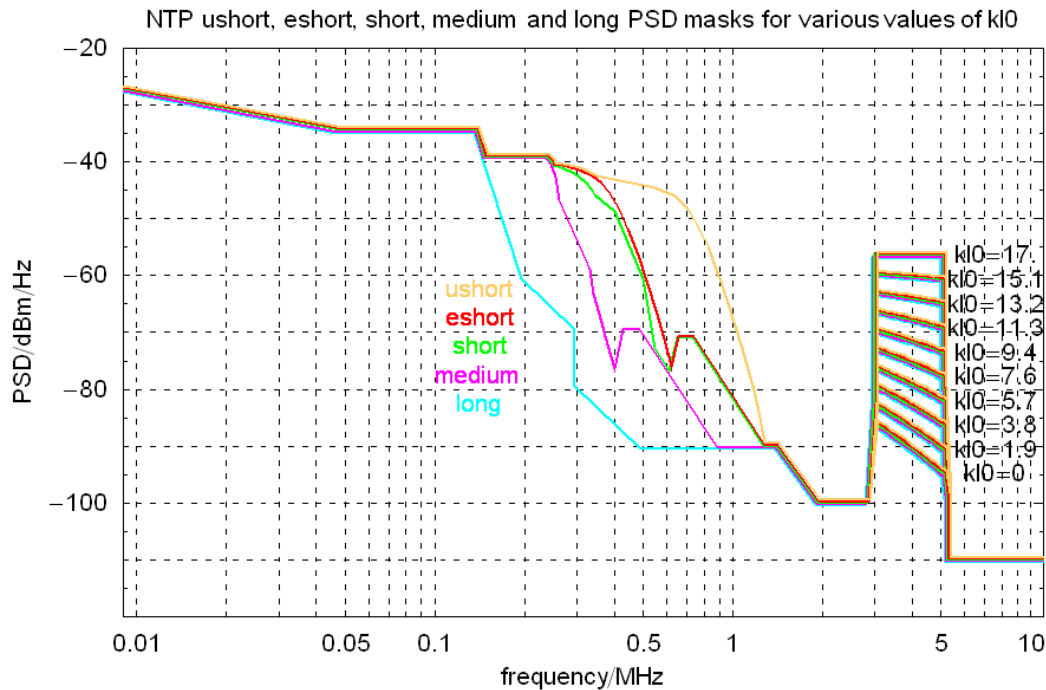


Figure C.2 – ushort, eshort, short, medium and long PSD masks for various values of k_{10}

(note: the lines plotted in this graph have been nudged from their true positions to help clarify their tracks as without doing this many lines would lie on top of each other)

The data of Table C.2 defines the corners of the masks. Between the given corners, the mask values are defined by interpolation (as a straight line on log frequency/linear dB axis).

The mask in the frequency range between 3 and 5.1 MHz depends on the electrical length k_{10} of the cable between the SDF and the NTP. k_{10} is the electrical length of the loop over which signals are transmitted in the 3-5.1 MHz band. It can be estimated as $\min(\text{loss}(f)/\sqrt{f})$, where $\text{loss}(f)$ is the loss of the loop at frequency f . $\text{loss}(f)$ is expressed in dB and f is expressed in MHz. It can either be estimated by the transmission equipment during operation, or by the operator at install time. If it is desired to install without knowledge of k_{10} of the loop then the mask for $k_{10}=0$ must be complied with.

frequency MHz	ushort dBm/Hz	eshort dBm/Hz	short dBm/Hz	medium dBm/Hz	long dBm/Hz	frequency MHz	ushort dBm/Hz	eshort dBm/Hz	short dBm/Hz	medium dBm/Hz	long dBm/Hz
0.000100			-24.90			0.650000	-47.29	-71.00	a	a	
0.004000			-24.90			0.692000	-48.85	a	a	a	a
0.006058			-25.66			0.735000	-50.96	-71.00	a	a	a
0.007177			-26.23			0.769000	-52.95	a	a	a	a
0.047666	¹⁵ a	a	a	a	-34.50	0.806000	-55.35	a	a	a	a
0.048021	a	a	a	-34.50	a	0.849000	-58.33	a	a	a	a
0.048303		-34.50		a	a	0.897226	a	a	a	-90.00	a
0.138000			-34.50			0.897244	-61.79	a	a	a	a
0.147646		-39.19		a	a	0.948000	-65.49	a	a	a	a
0.147654	a	a	a	-39.19	a	1.001000	-69.39	a	a	a	a
0.199722	a	a	a	a	-60.16	1.053000	-73.27	a	a	a	a
0.239000		-39.20			a	1.104000	-77.14	a	a	a	a
0.248000		-40.15			a	1.151000	-80.84	a	a	a	a
0.249733		-40.67	a	a	a	1.194000	-84.38	a	a	a	a
0.249776	a	a	-40.68	a	a	1.233000	-87.81	a	a	a	a
0.256000	a	a	a	-42.52	a	1.250335	-89.49	a	a	a	a
0.262988	a	a	a	-46.67	a	1.268906		-90.00		a	a
0.266667		-40.93	a	-46.94	a	1.400000		-90.00			
0.267397	a	a	-41.13	a	a	1.924567		-100.00			
0.295483	a	a	-42.17	a	a	2.825000		-100.00			
0.300000	a	a	a	a	-69.00	2.999000	¹⁶ min(-80.;-85.94+1.732*max(0;min(17.;kI0)))				
0.301000		-41.64	a	a	-79.00	3.000000	-85.945+1.732* ¹⁷ max(0;min(17.;kI0))				
0.318586	a	a	-43.53	a	a	3.100000	-86.432+1.761*max(0;min(17.;kI0))				
0.333333	a	-42.69	a	-58.74	a	3.200000	-86.911+1.789*max(0;min(17.;kI0))				
0.336700	a	a	-45.05	a	a	3.300000	-87.382+1.817*max(0;min(17.;kI0))				
0.342917	-43.02	a	a	a	a	3.400000	-87.846+1.844*max(0;min(17.;kI0))				
0.343272	a	a	-45.78	a	a	3.500000	-88.304+1.871*max(0;min(17.;kI0))				
0.343831	a	a	a	-63.12	a	3.600000	-88.755+1.897*max(0;min(17.;kI0))				
0.358742	a	-44.01	a	a	a	3.700000	-89.200+1.924*max(0;min(17.;kI0))				
0.359870	a	a	a	-66.48	a	3.800000	-89.639+1.949*max(0;min(17.;kI0))				
0.382919	a	-45.83	a	a	a	3.900000	-90.072+1.975*max(0;min(17.;kI0))				
0.385485	a	a	a	-71.97	a	4.000000	-90.500+2.000*max(0;min(17.;kI0))				
0.400000	a	a	-48.70	a	a	4.100000	-90.922+2.025*max(0;min(17.;kI0))				
0.404317	a	-47.89	a	-76.16	a	4.200000	-91.340+2.049*max(0;min(17.;kI0))				
0.412200	a	-48.74	a	a	a	4.300000	-91.752+2.074*max(0;min(17.;kI0))				
0.433333	a	a	a	-69.24	a	4.400000	-92.160+2.098*max(0;min(17.;kI0))				
0.440882	a	-52.16	a	a	a	4.500000	-92.562+2.121*max(0;min(17.;kI0))				
0.475149	a	-56.61	a	a	a	4.600000	-92.961+2.145*max(0;min(17.;kI0))				
0.492000	a	a	a	-69.24	a	4.700000	-93.355+2.168*max(0;min(17.;kI0))				
0.500000	a	a	-60.50	a	-90.00	4.800000	-93.745+2.191*max(0;min(17.;kI0))				
0.513550	a	-61.76	a	a	a	4.900000	-94.131+2.214*max(0;min(17.;kI0))				
0.534365	-45.03	a	a	a	a	5.000000	-94.513+2.236*max(0;min(17.;kI0))				
0.545545	a	a	-72.81	a	a	5.100000	-94.891+2.258*max(0;min(17.;kI0))				
0.553011	a	-67.12	a	a	a	5.101000	min(-80.;-94.895+2.259*max(0;min(17.;kI0)))				
0.590281	-45.85	-72.29	a	a	a	5.275000		-100.00			
0.613094	a	a	-76.84	a	a	5.276000		-110.00			
0.617156	a	-76.18	a	a	a	30.000000		-110.00			
0.624021	-46.57	a	a	a	a						

Table C.2 – ushort, eshort, short, medium and long PSD masks defined in terms of kI0

Note that the effective range of kI0 is limited to 0 to 17. Values of kI0 lower than 0 do not result in a lower mask. Values of kI0 in excess of 17 do not result in an increased mask. Within these bounds any value of kI0 may be used.

Note: The data given in Table C.2 is available in electronic format [20]. In the event of any discrepancy between the data given in the spreadsheet [20] and that in Table C.2, the data in Table C.2 applies.

¹⁵ The symbol “a” means that the value for this frequency can be obtained by linear interpolation on a log frequency scale of the values given in the nearest preceding and following rows that actually contain a numerical value.

¹⁶ The function min(x;y) means x or y, whichever is closest to -∞

¹⁷ The function max(x;y) means x or y, whichever is closest to +∞

C.5 Test Specification

The test specification specified in section 4 applies using the resolution bandwidths specified in one of Table C.3, Table C.4 or Table C.5.

Frequency Band	Resolution Bandwidth
100 Hz to 5 kHz	100 Hz
5 kHz to 1265 kHz	10 kHz
1265 kHz to 2995 kHz	1 MHz
2995 kHz to 5105 kHz	10 kHz
5105 kHz to 30005 kHz	1 MHz

Table C.3 Resolution bandwidth for measuring against the ushort, eshort and short NTP masks

Frequency Band	Resolution Bandwidth
100 Hz to 5 kHz	100 Hz
5 kHz to 895 kHz	10 kHz
895 kHz to 2995 kHz	1 MHz
2995 kHz to 5105 kHz	10 kHz
5105 kHz to 30005 kHz	1 MHz

Table C.4 - Resolution bandwidth for measuring against the medium NTP mask

Frequency Band	Resolution Bandwidth
100 Hz to 5 kHz	100 Hz
5 kHz to 505 kHz	10 kHz
505 kHz to 2995 kHz	1 MHz
2995 kHz to 5105 kHz	10 kHz
5105 kHz to 30005 kHz	1 MHz

Table C.5 - Resolution bandwidth for measuring against the long NTP mask

- End of Part C -

Part D ANFP PSD Mask Definition for MDF EO

D.1 Introduction

This part of the ANFP specifies the PSD Mask that applies to transmission equipment connected to the MDF at an MDF site when that MDF is connected to cables routed directly to the NTP (i.e. without being routed via a SLCP) **and** where those cables are *not* in a cable sheath with any metallic access cables routed via a SLCP.

D.2 Status

This part of the ANFP specification is substantive i.e. there are no planned changes to this part of the ANFP and any proposals to change this part of the ANFP shall follow the ANFP change control procedure (section 6).

D.3 PSD Mask Specification

The specification of Part A applies.

It is for future study whether for these EO lines, an enhanced PSD Mask specification can be produced and agreed that would allow the use of higher frequencies than those allowed in Part A taking account that there is no SLCP for connection of transmission equipment. Such an enhancement would be backward compatible with this current Part D specification.

D.4 Test Specification

The test specification specified in section 4 applies using a resolution bandwidth defined in section A.4.

- End of Part D -